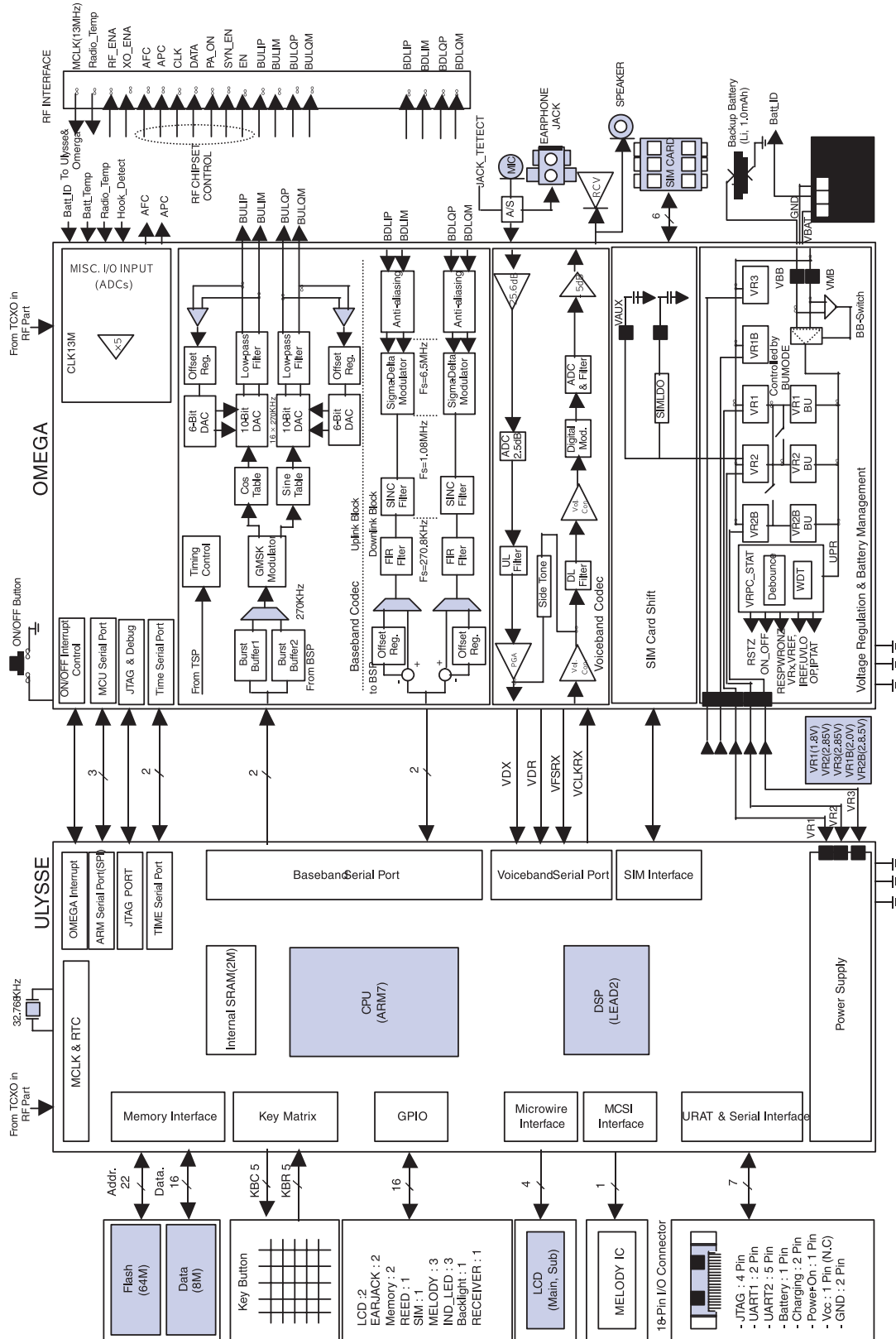
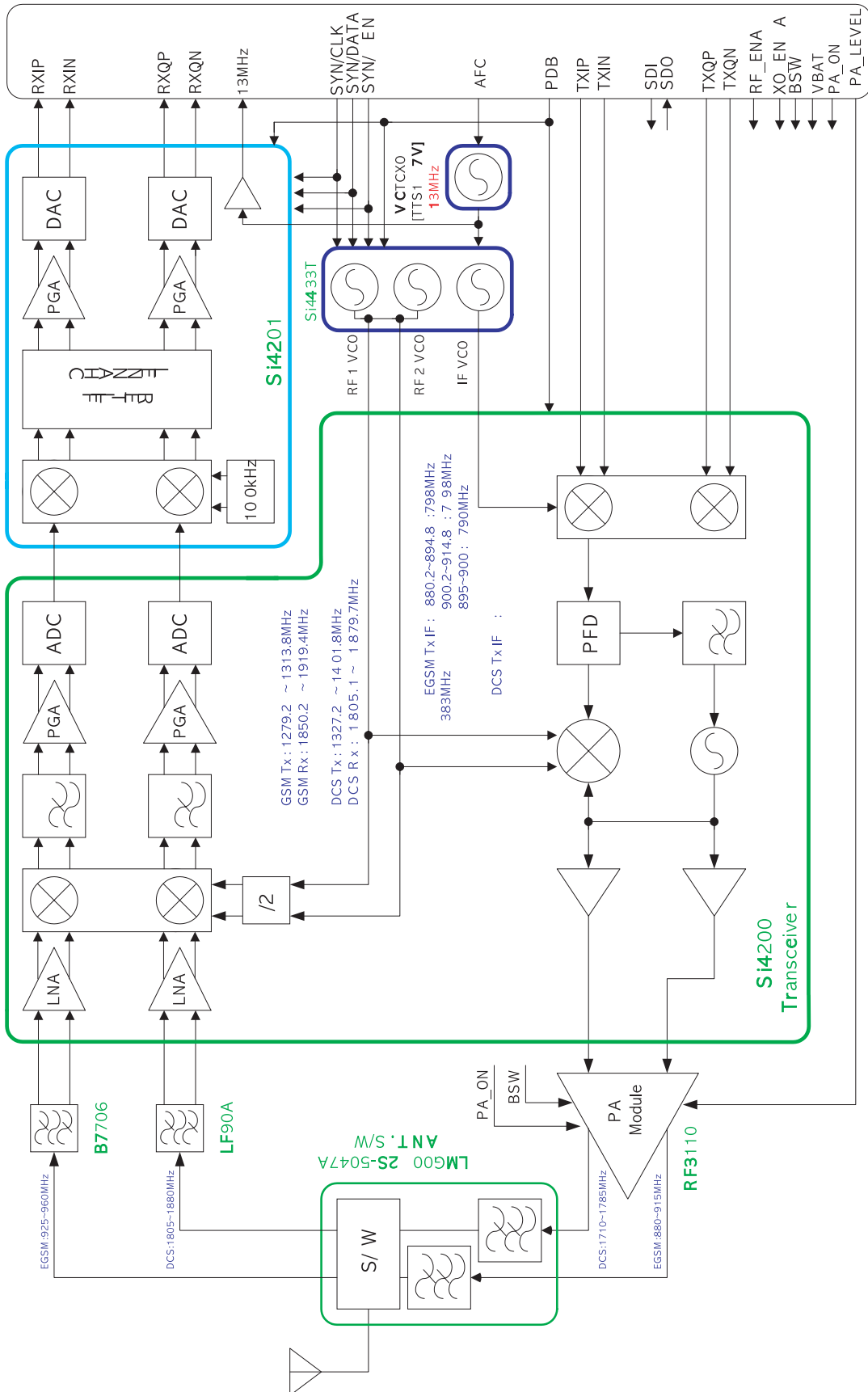


# 6. Block Diagram

## 6.1 BB Block Diagram

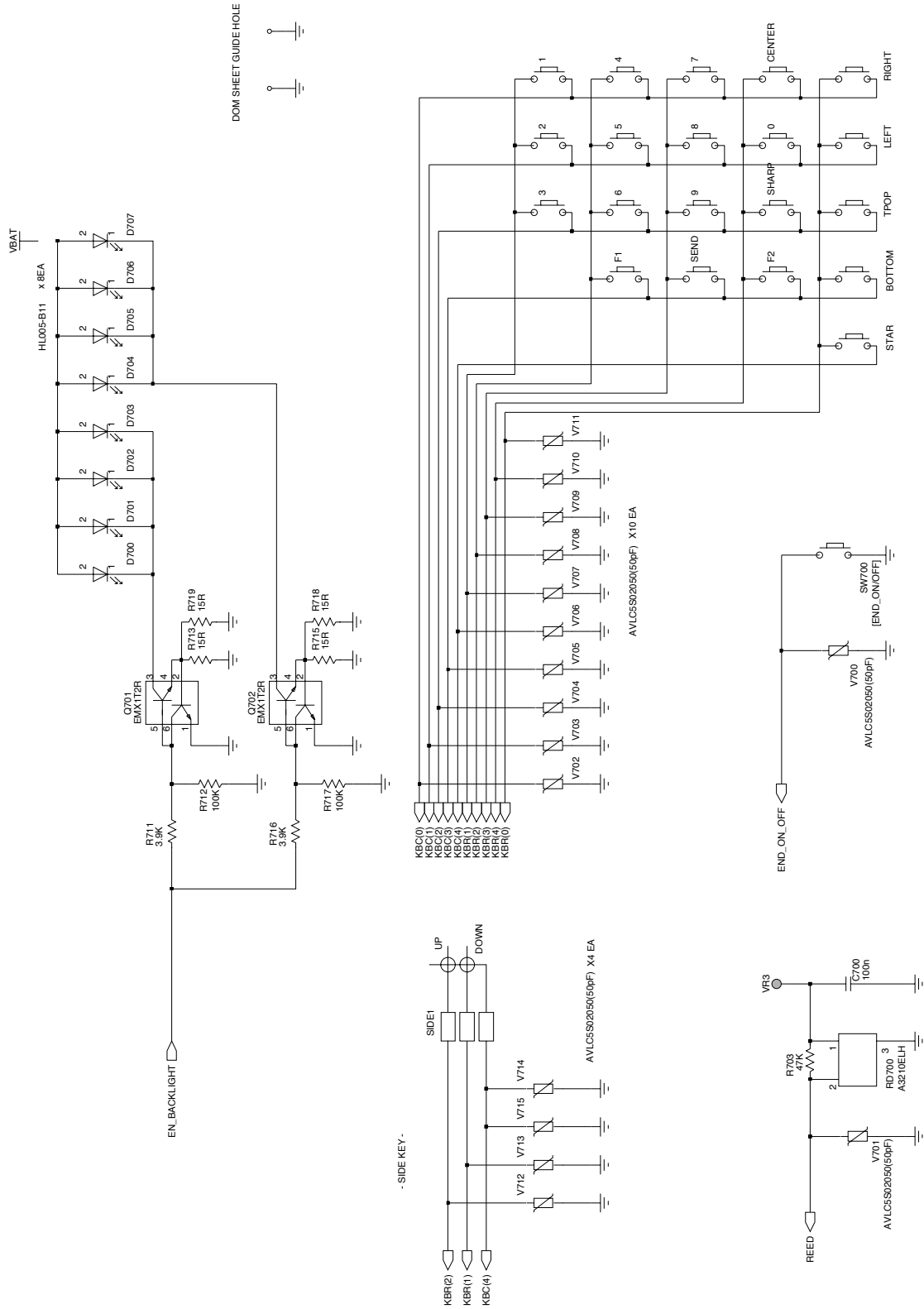


## 6.2 RF Block Diagram



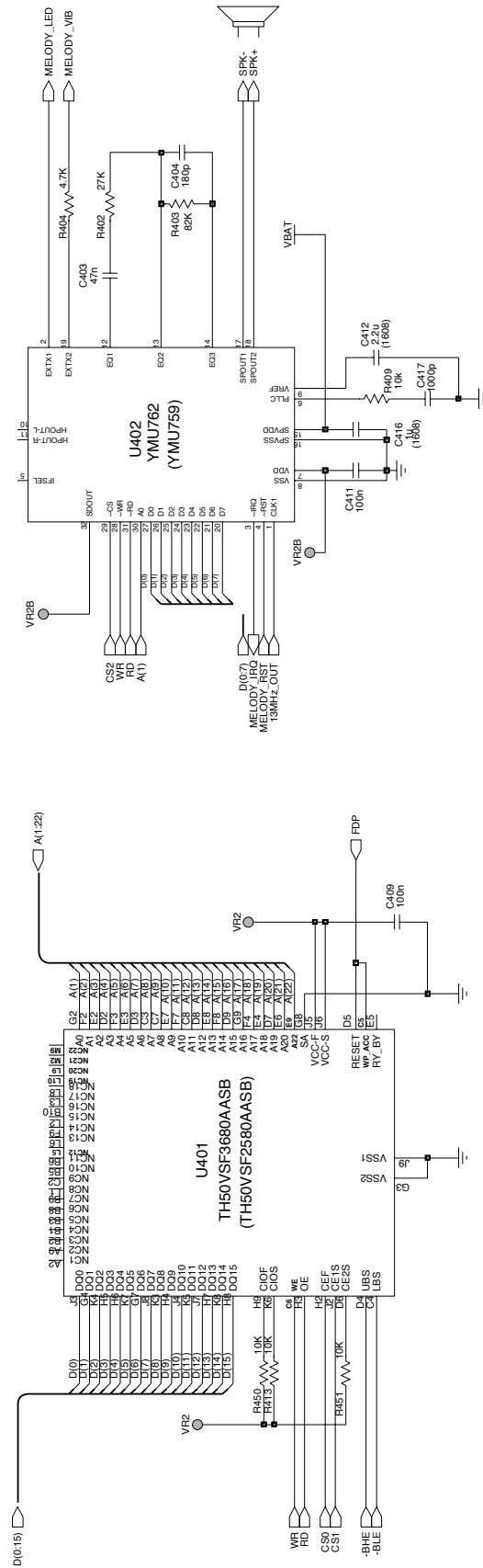
# 7. Schematic Diagram

## 7.1 Key Pad



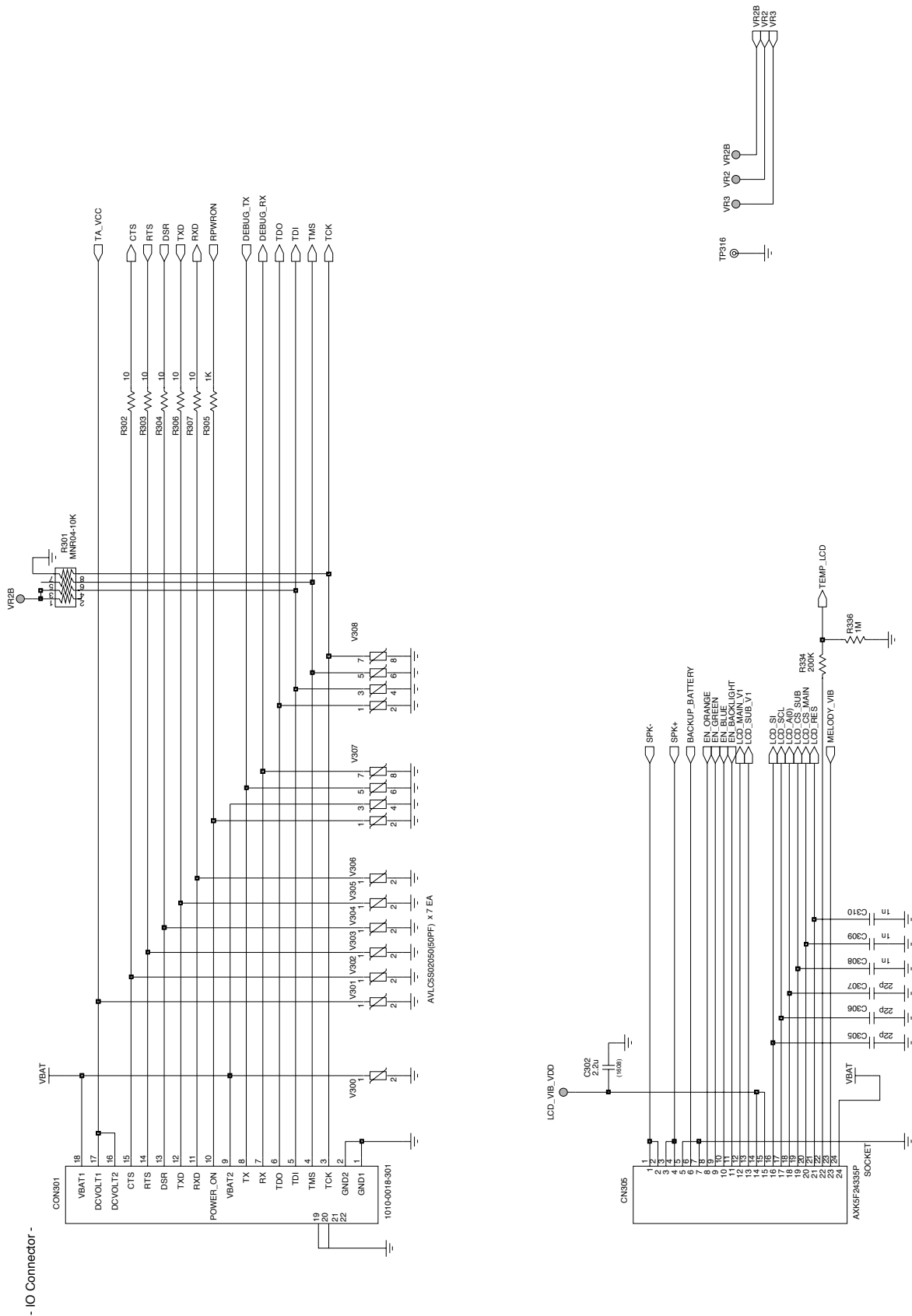


## 7.2.2 Memory & Melody



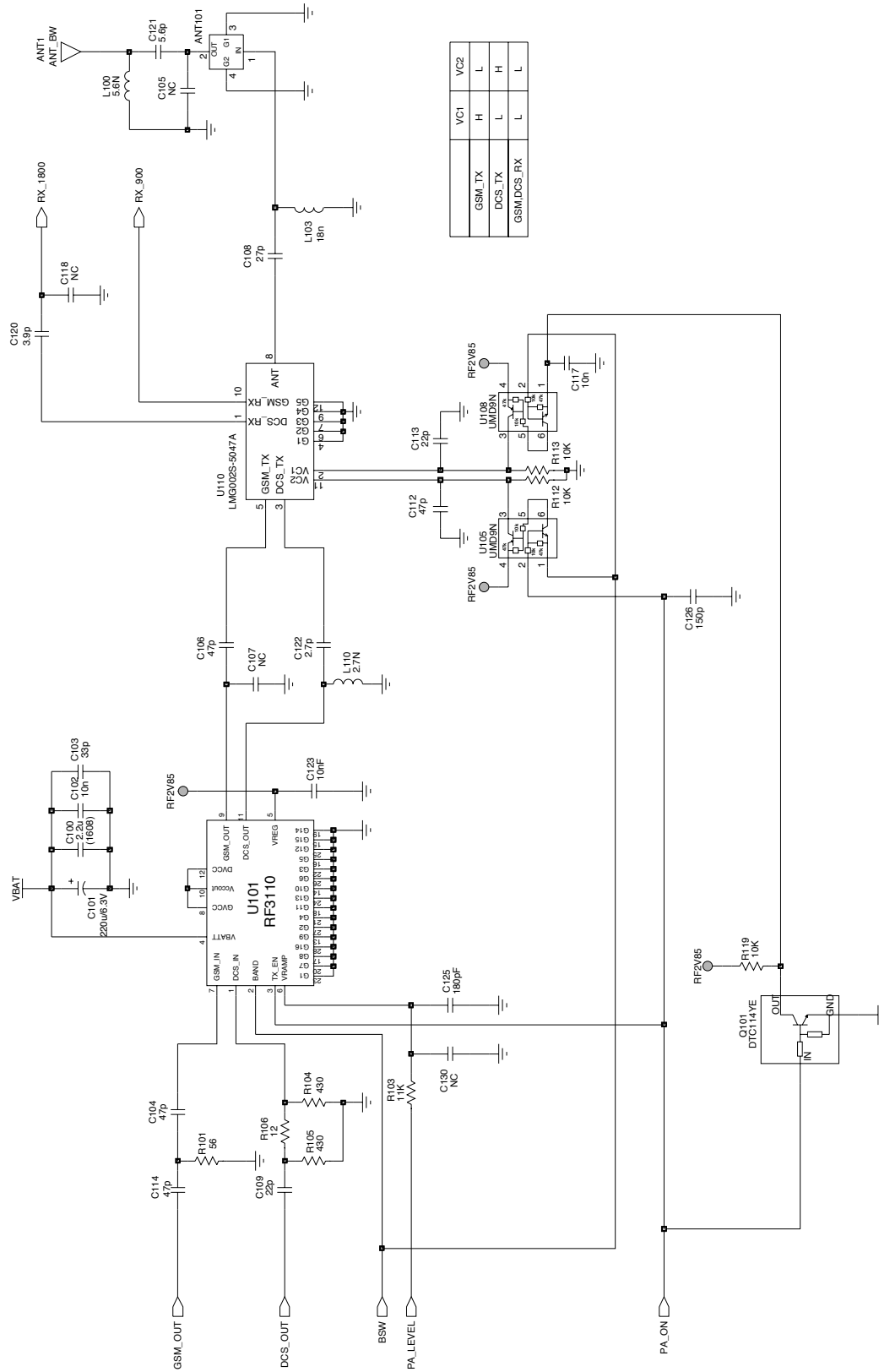


## 7.2.4 I/O & B'd to B'd Connector Interface



## 7.3 RF Top Schematic

### 7.3.1 RF PAM







## Memo

# 8. PCB Diagram

## 8.1 Main PCB

Top View

