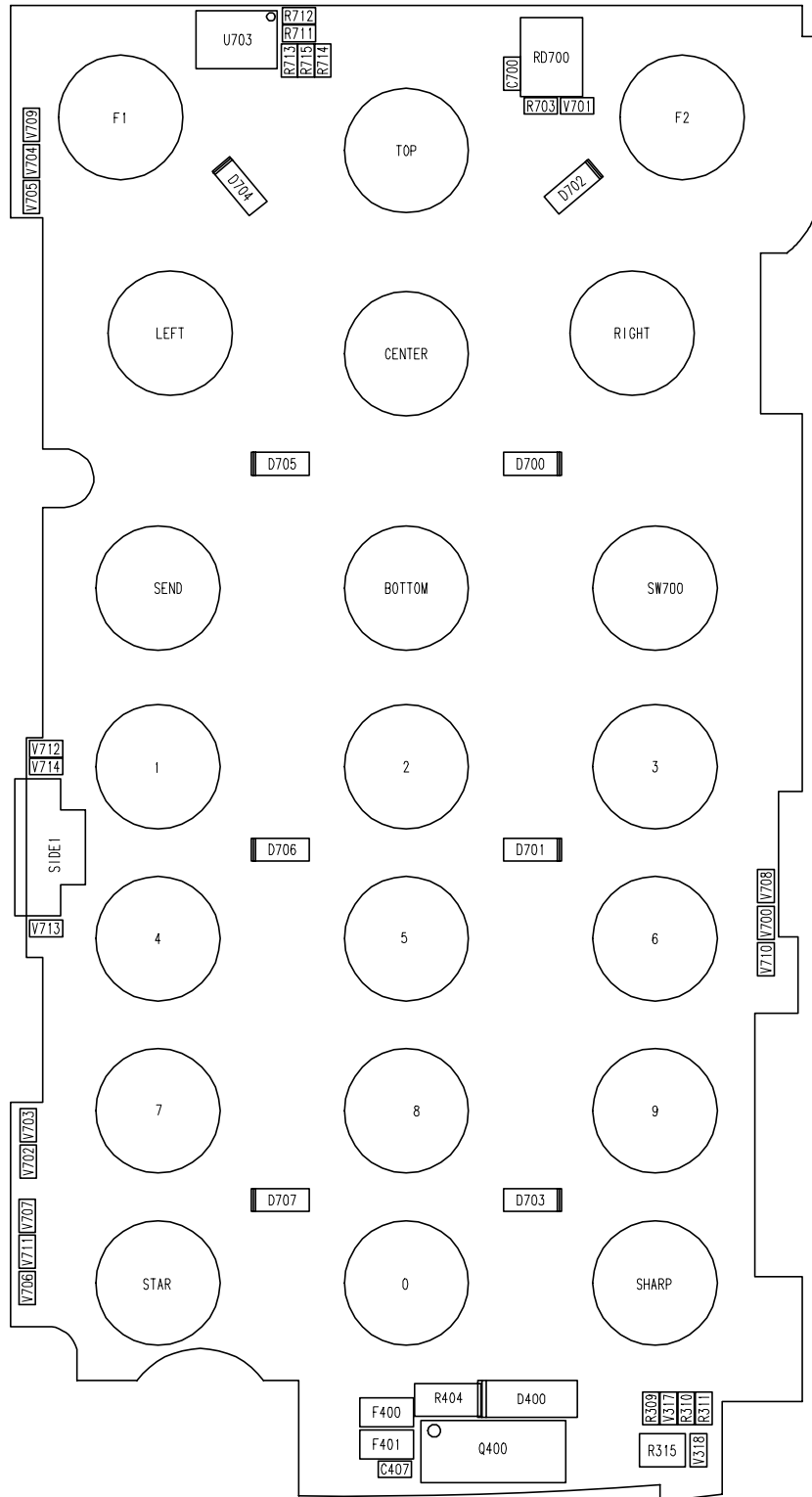


6. PCB Diagram

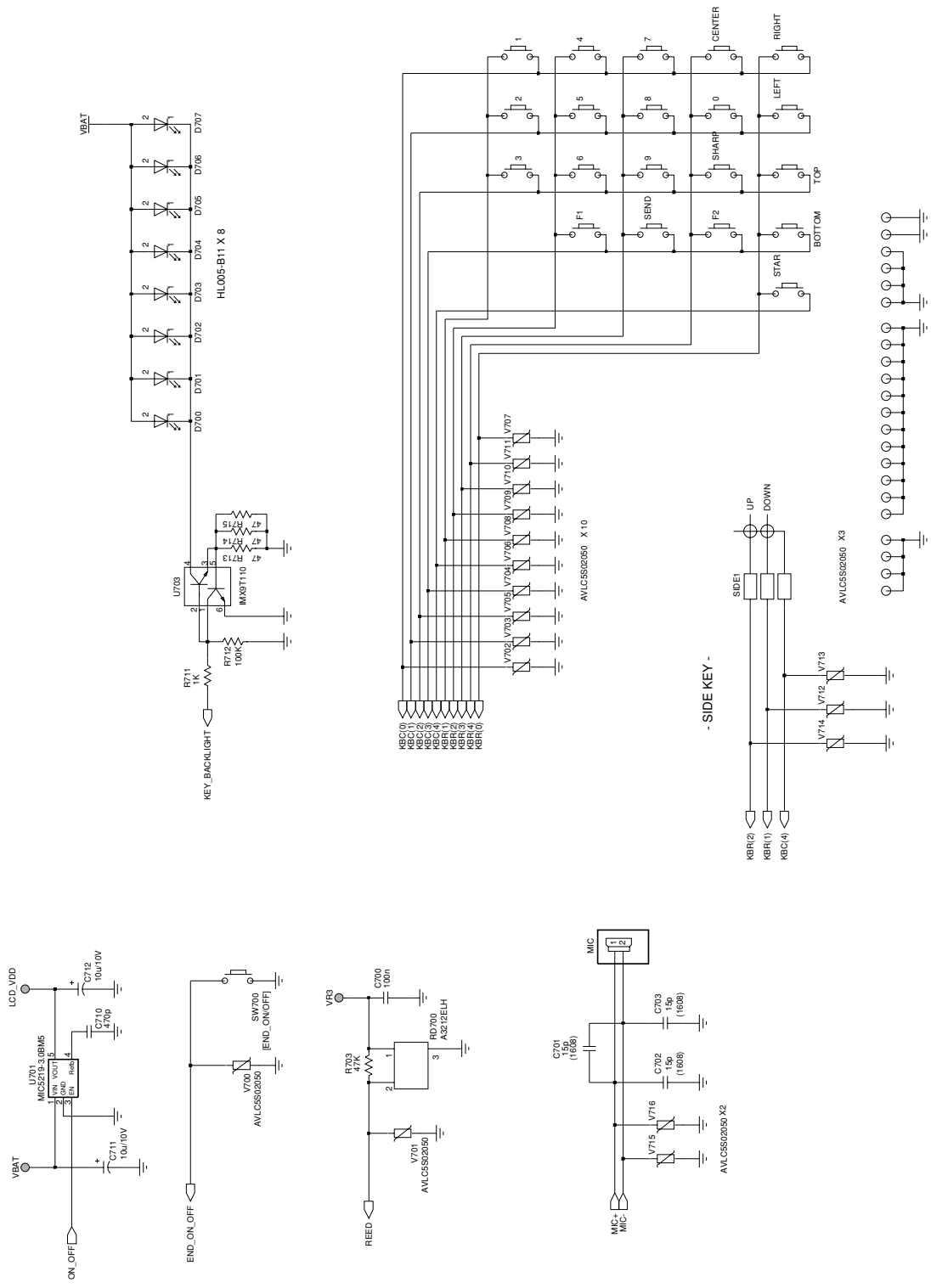
6.1 Main PCB

Top View



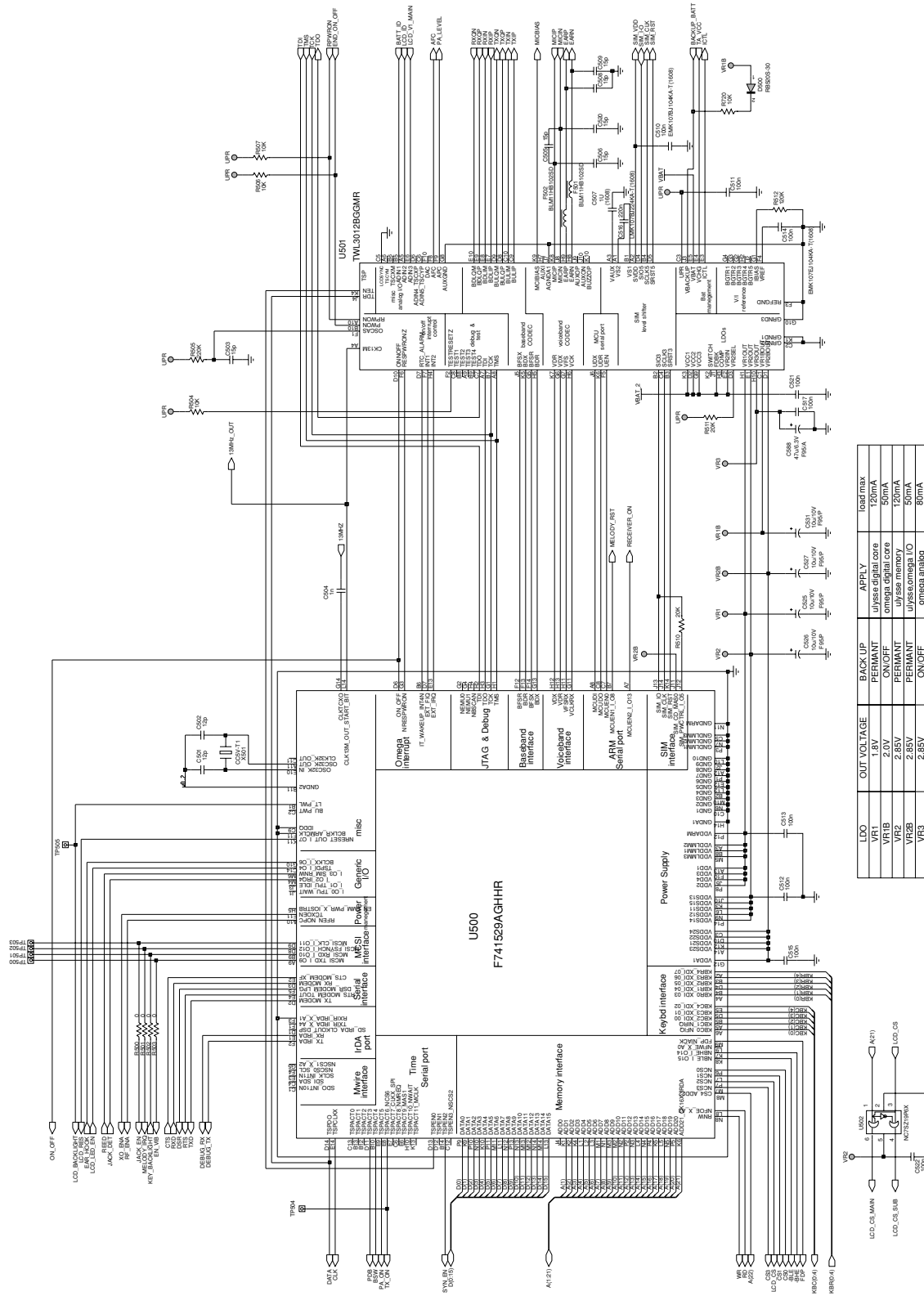
10. Schematic Diagram

10.1 Key Pad

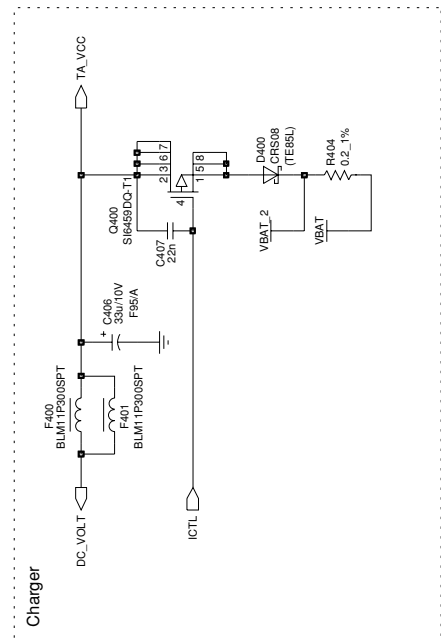
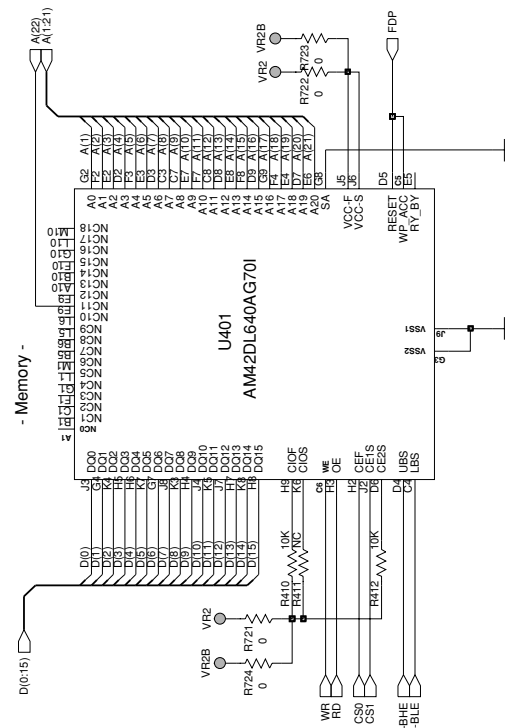
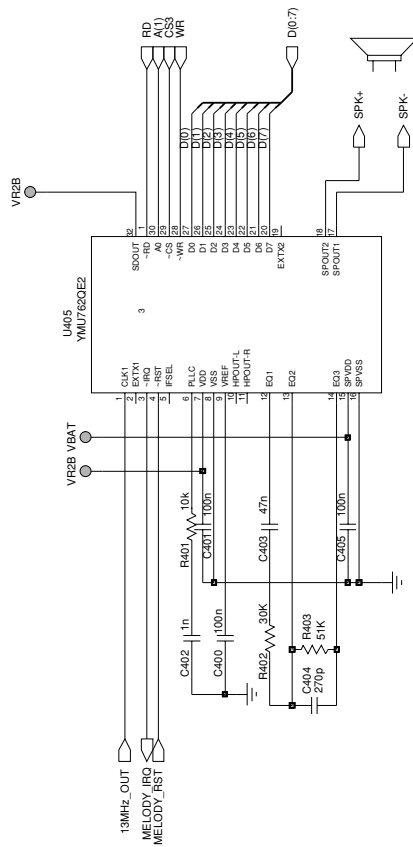


10.2 Main Board

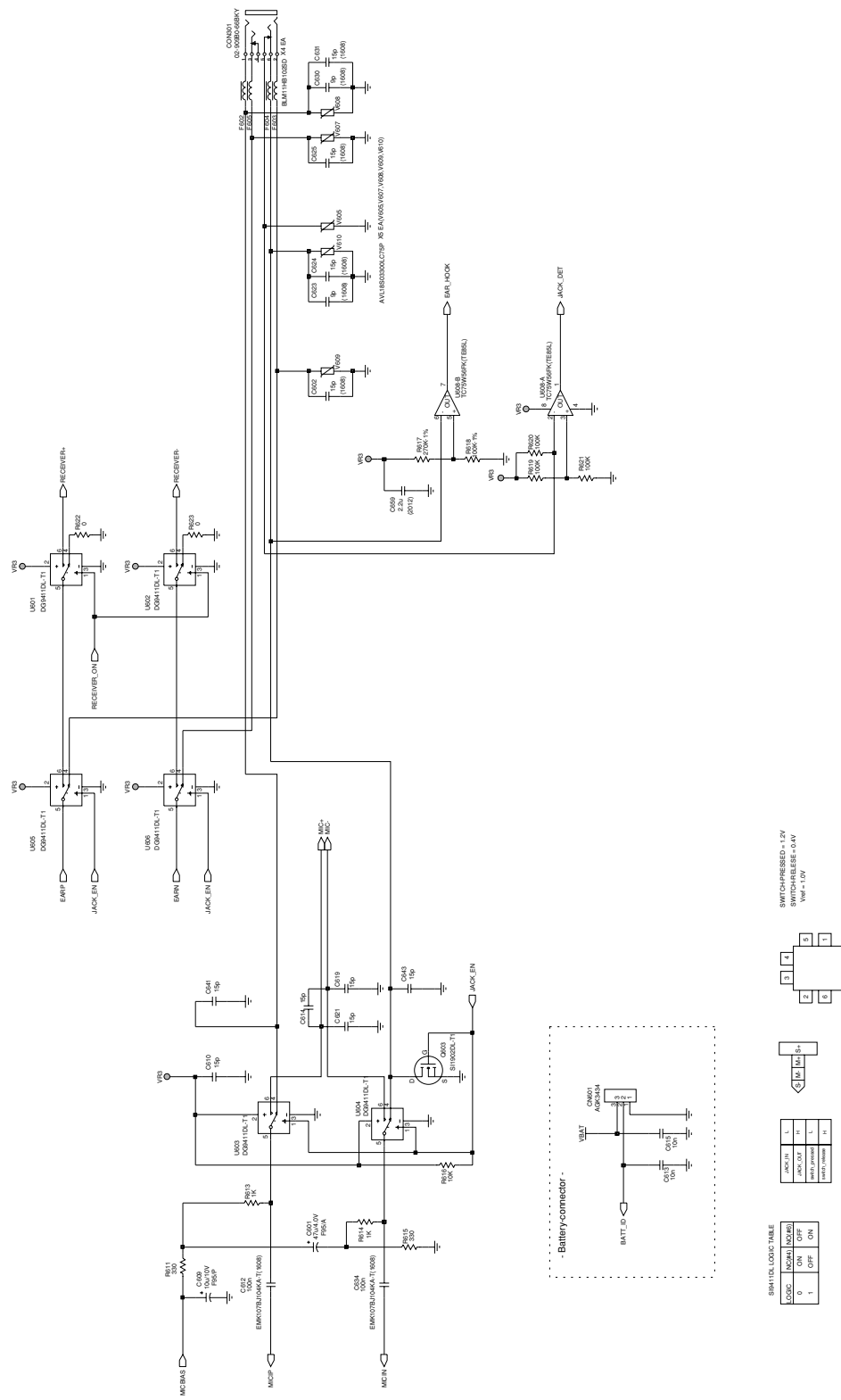
10.2.1 Chipset



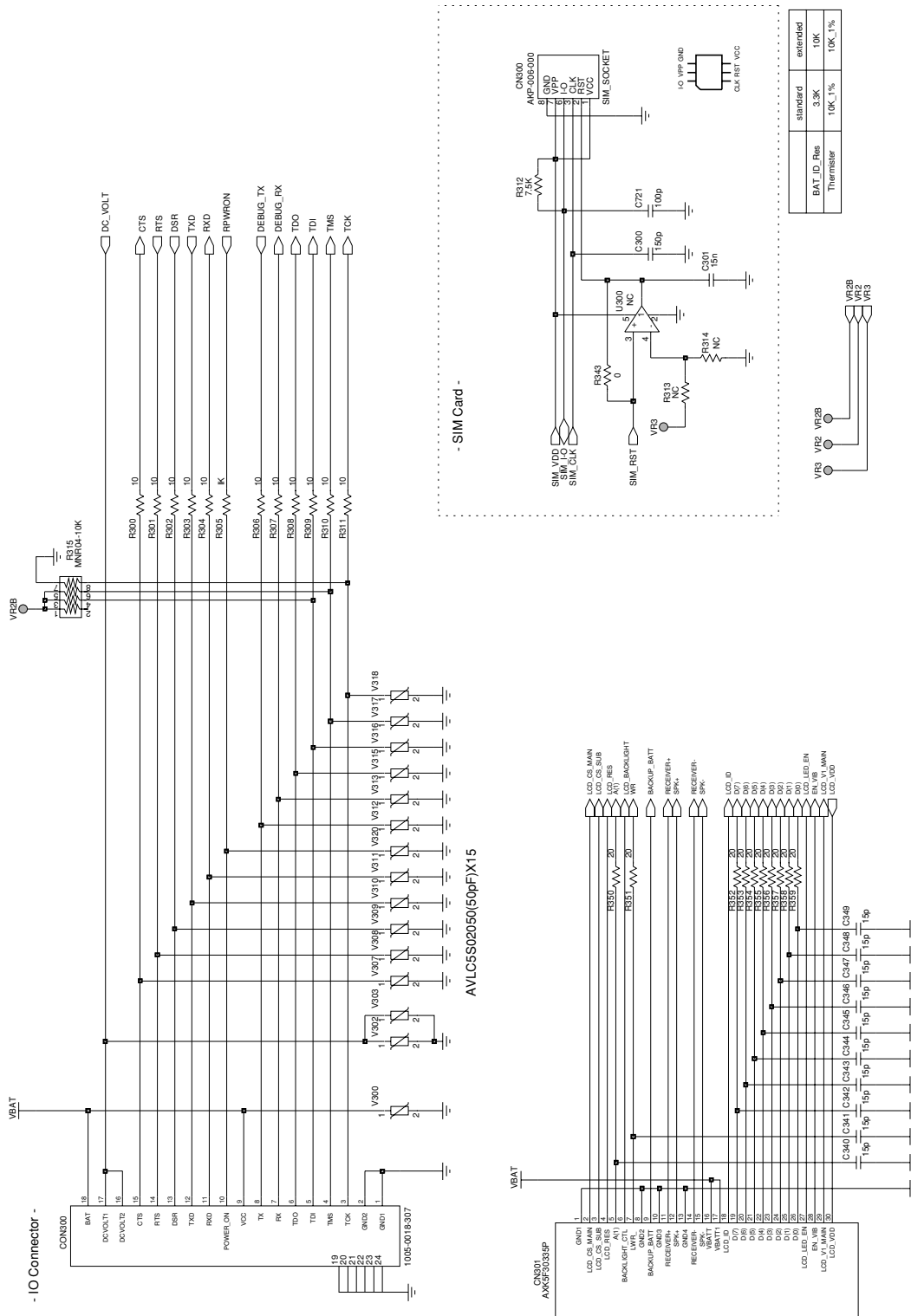
10.2.2 Memory & Melody



10.2.3 Audio & SIM



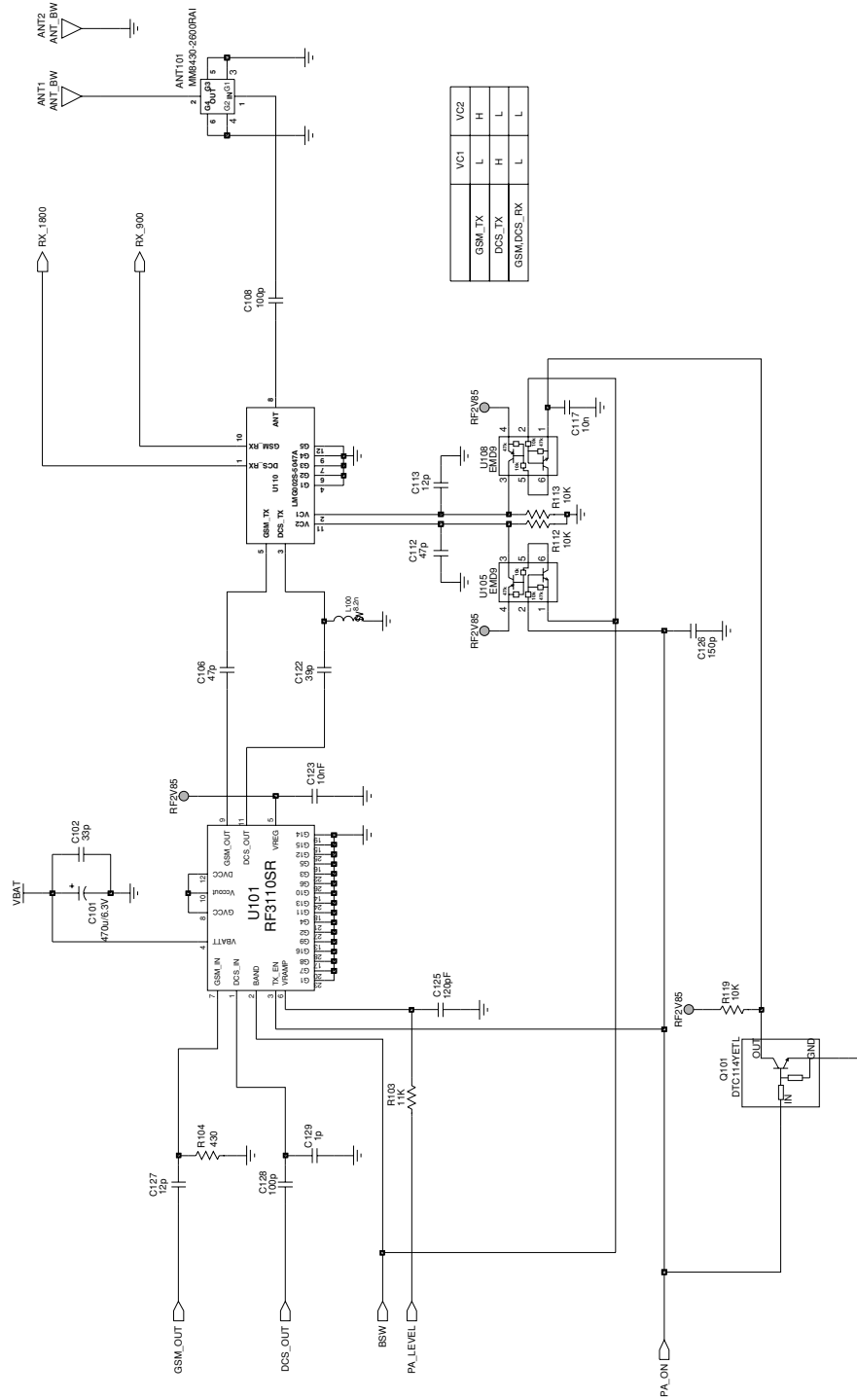
10.2.4 Connector



BAT_ID_Res	standard	extended
Thermistor	3.3K	10K
	10K 1%	10K 1%

10.3 RF Top Schematic

10.3.1 RF PAM



10.3.2 RF Main IC

