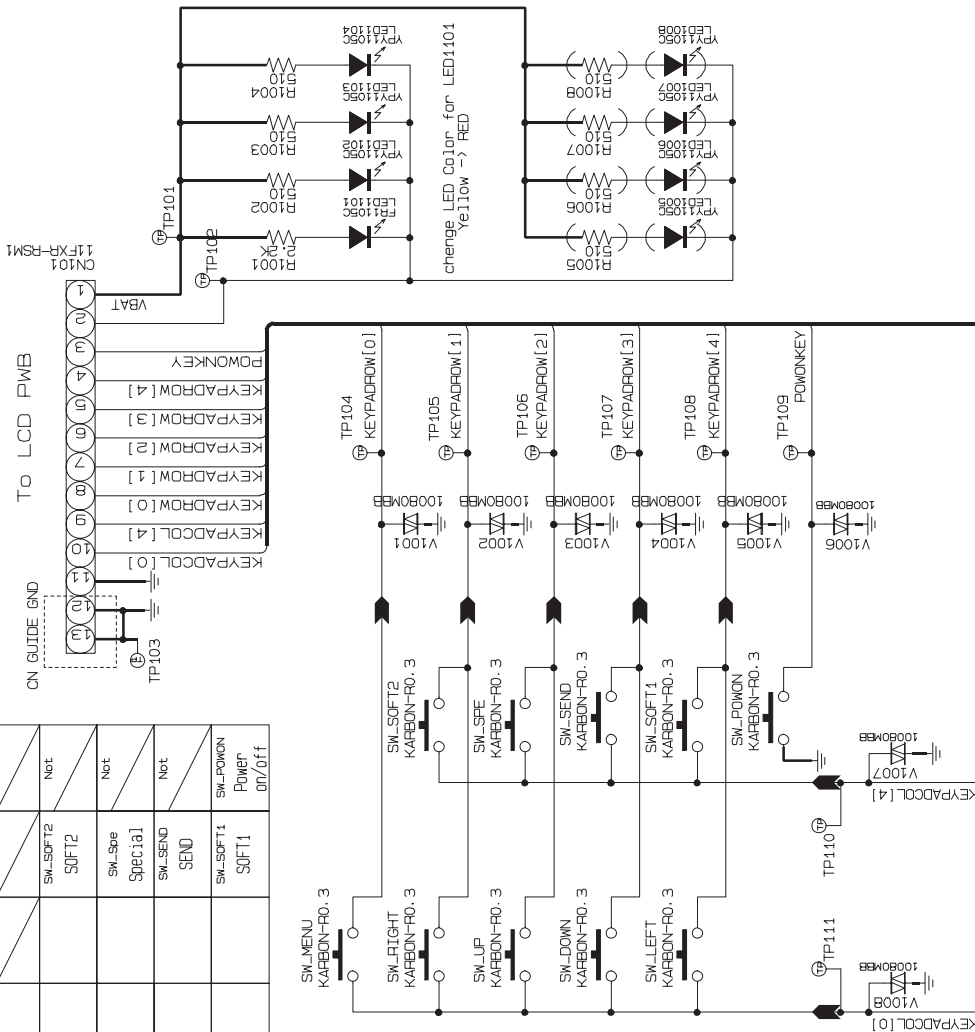


1/1

# CHAPTER 5. CIRCUIT DIAGRAM

## TM100 PRE PRODUCTION/KEY

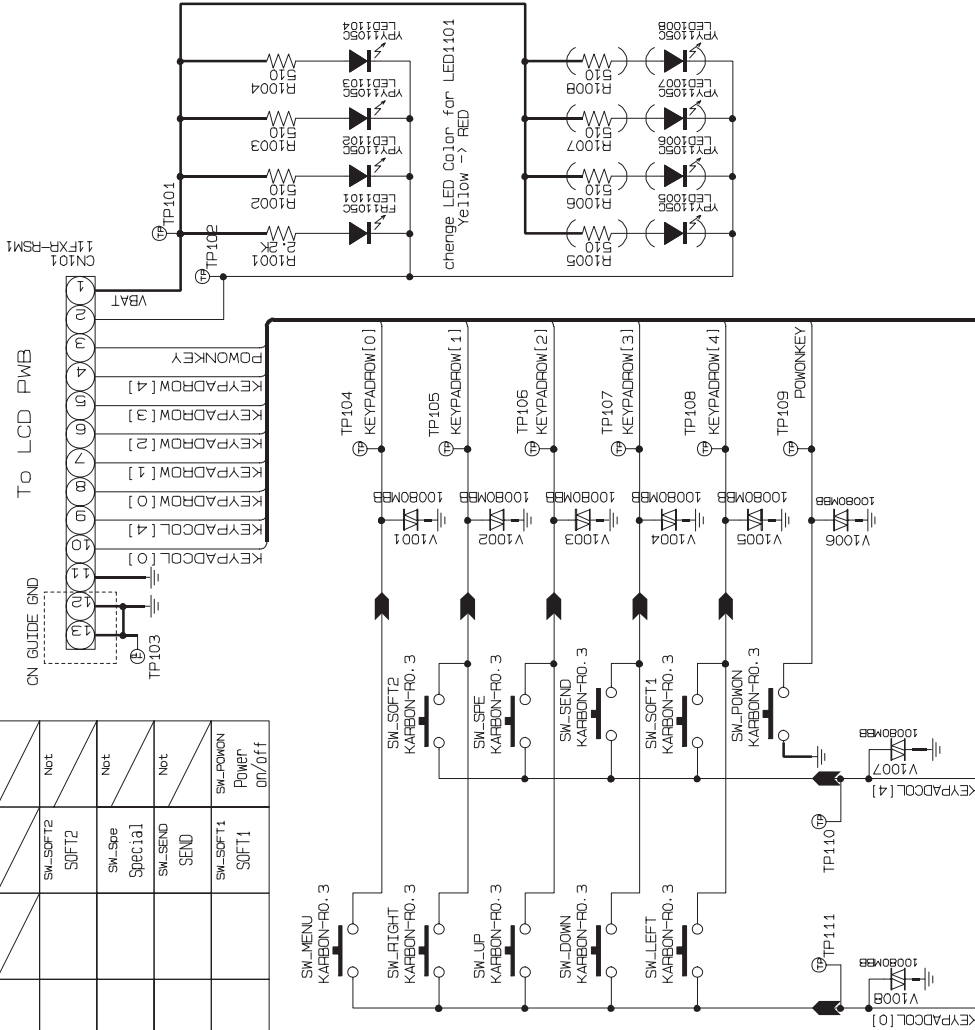
KEYPAD00	KEYPAD01	KEYPAD02	KEYPAD03	KEYPAD04	GROSE
SW_MENU Menu			Not	Not	Not
KEYPAD01	KEYPAD02	KEYPAD03	KEYPAD04	KEYPAD00	GROSE
SW_RIGHT RIGHT				SW_SOFT2 SOFT2	Not
KEYPAD02	KEYPAD03	KEYPAD04	KEYPAD00	SW_Spe Special	Not
SW_UP UP				SW_SEND SEND	Not
KEYPAD03	KEYPAD04	KEYPAD00	KEYPAD01	SW_SOFT1 SOFT1	SW_POWON Power on/off
SW_DOWN DOWN					
KEYPAD04	KEYPAD00	KEYPAD01	KEYPAD02		
SW_LEFT LEFT					



# CHAPTER 5. CIRCUIT DIAGRAM

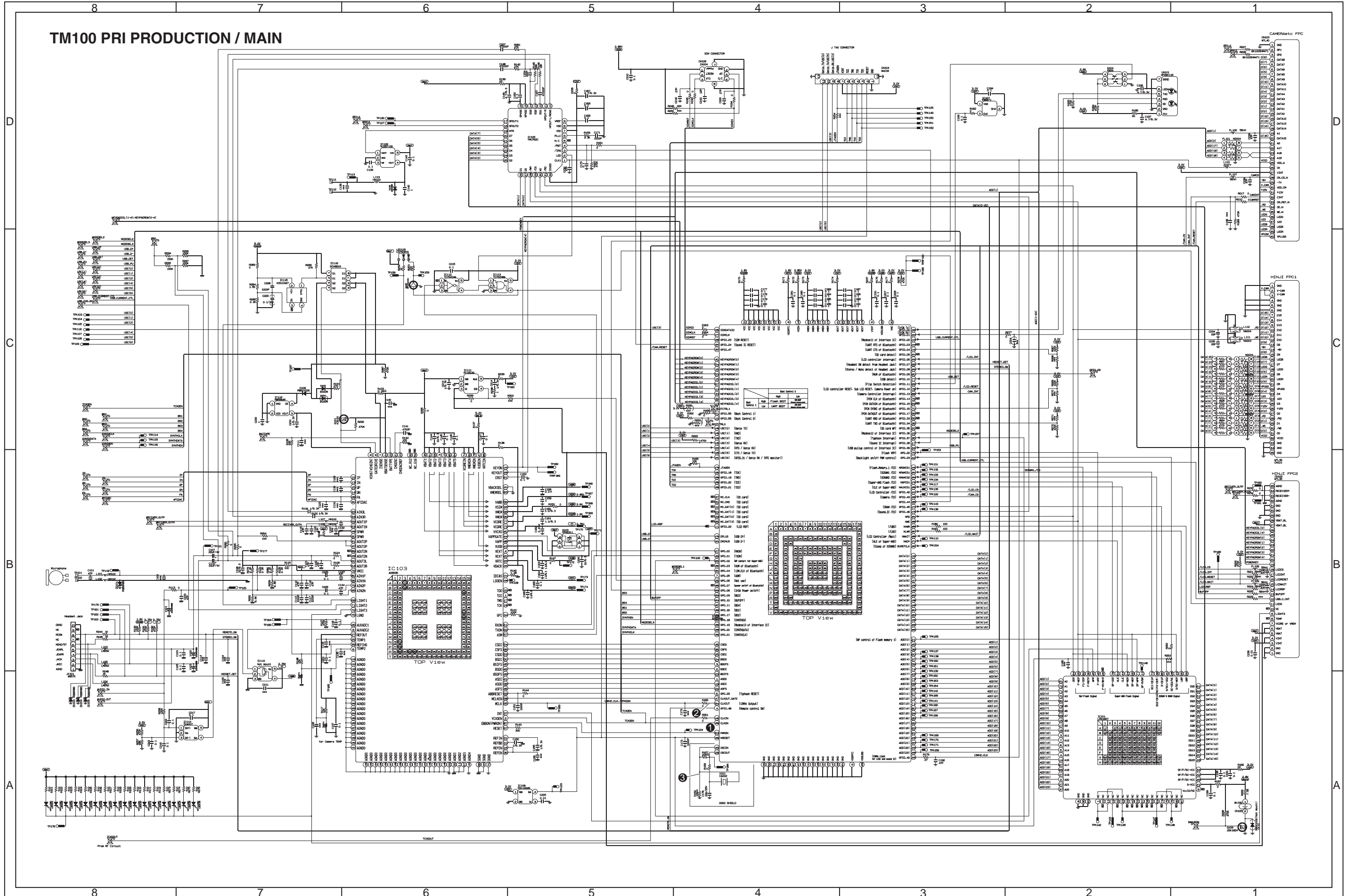
## TM100 PRE PRODUCTION/KEY

	KEYPAD00	KEYPAD01	KEYPAD02	KEYPAD03	KEYPAD04	GROSE
KEYPAD00	SW_MENU Menu		Not		Not	Not
KEYPAD01	SW_RIGHT RIGHT			SW_SOFT2 SOFT2		Not
KEYPAD02	SW_UP UP			SW_Spe Special		Not
KEYPAD03	SW_DOWN DOWN			SW_SEND SEND		Not
KEYPAD04	SW_LEFT LEFT			SW_SOFT1 SOFT1	SW_POWON Power on/off	





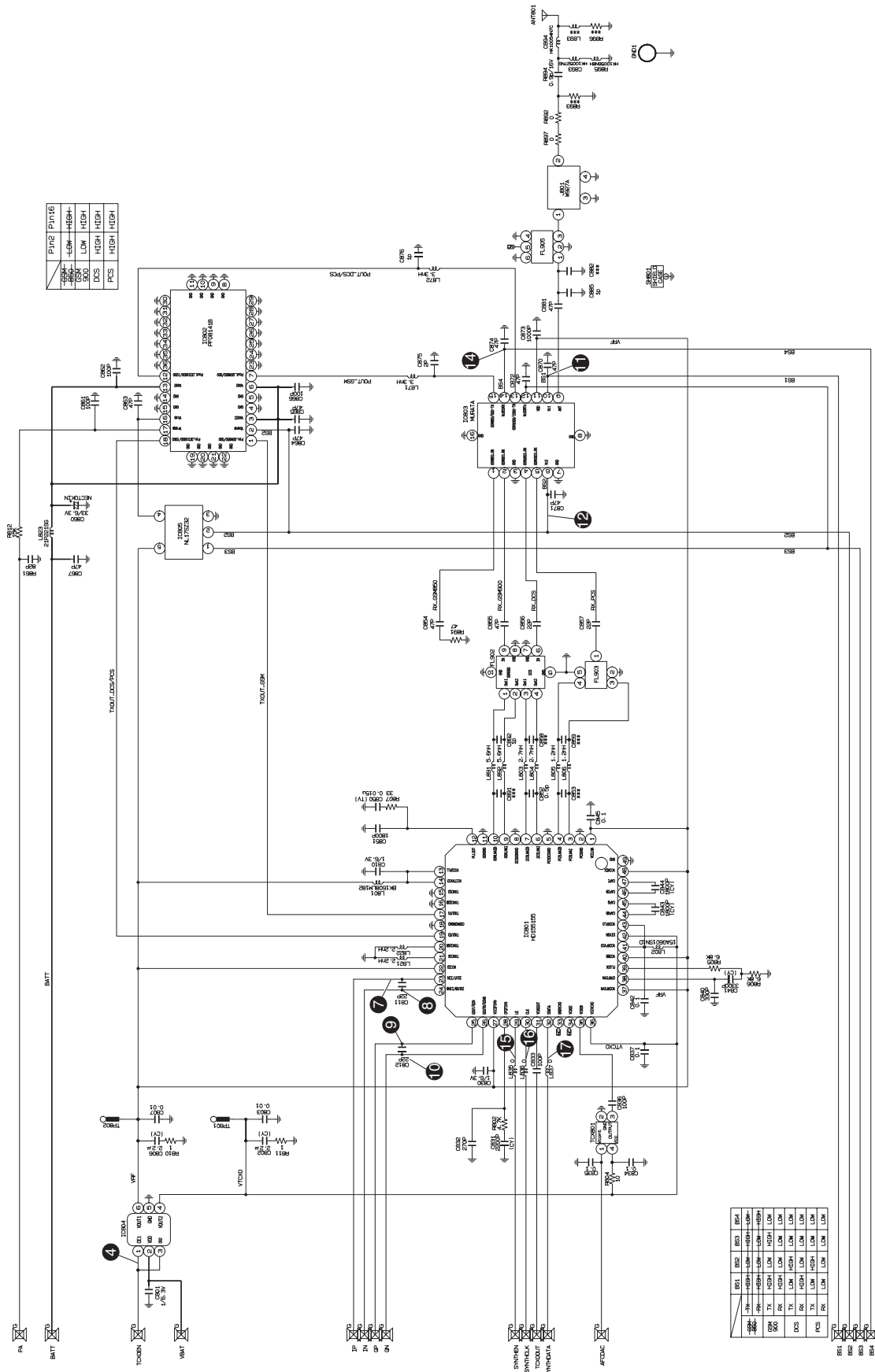
# TM100 PRI PRODUCTION / MAIN





1/1

TM100 PRE PRODUCTION / RF PART



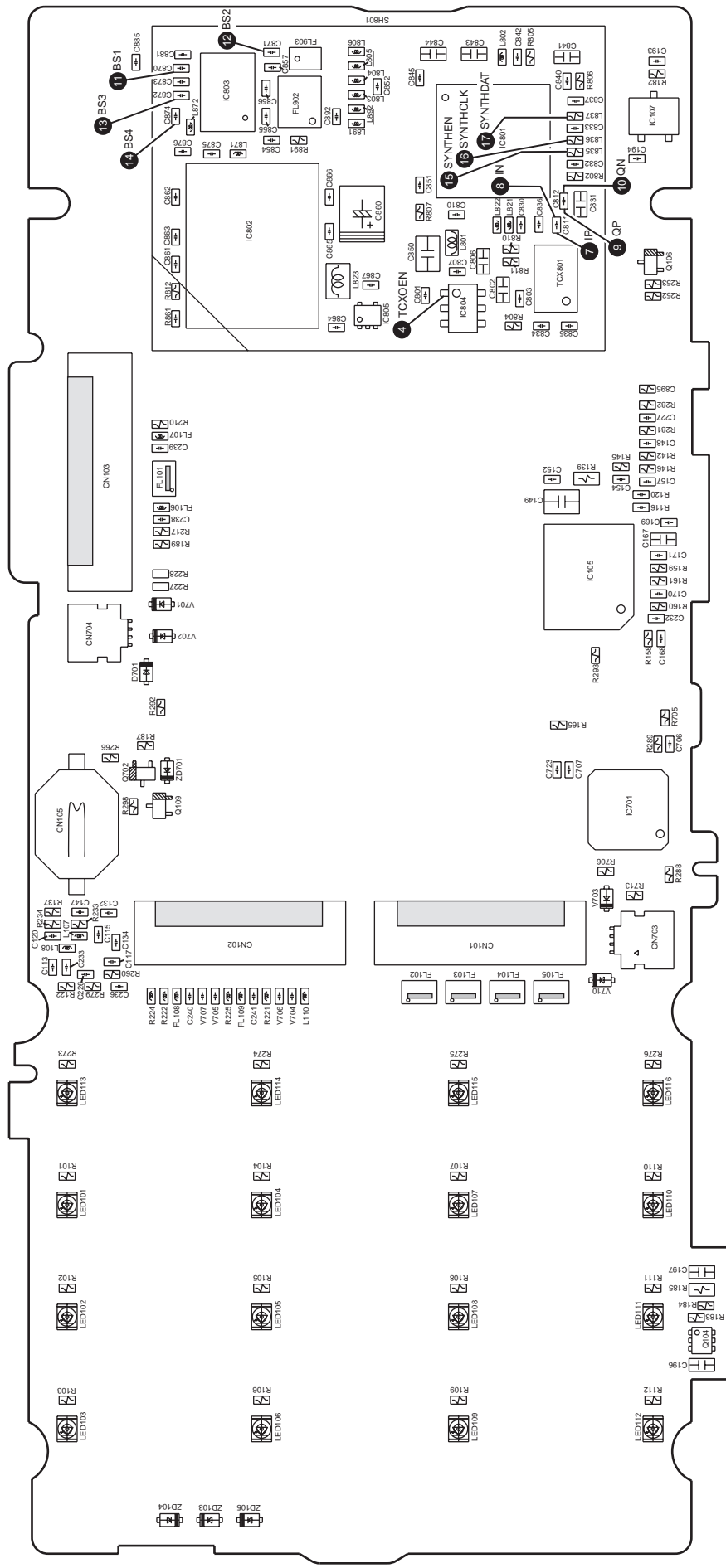
	PC5	PC6	PC7	PC8	PC9	PC10	PC11	PC12	PC13	PC14	PC15	PC16
PC5	LOW	LOW	LOW	LOW	LOW	LOW	LOW	LOW	LOW	LOW	LOW	LOW
PC6	HIGH	HIGH	HIGH	HIGH	HIGH	HIGH	HIGH	HIGH	HIGH	HIGH	HIGH	HIGH
PC7	LOW	LOW	LOW	LOW	LOW	LOW	LOW	LOW	LOW	LOW	LOW	LOW
PC8	HIGH	HIGH	HIGH	HIGH	HIGH	HIGH	HIGH	HIGH	HIGH	HIGH	HIGH	HIGH
PC9	LOW	LOW	LOW	LOW	LOW	LOW	LOW	LOW	LOW	LOW	LOW	LOW
PC10	HIGH	HIGH	HIGH	HIGH	HIGH	HIGH	HIGH	HIGH	HIGH	HIGH	HIGH	HIGH
PC11	LOW	LOW	LOW	LOW	LOW	LOW	LOW	LOW	LOW	LOW	LOW	LOW
PC12	HIGH	HIGH	HIGH	HIGH	HIGH	HIGH	HIGH	HIGH	HIGH	HIGH	HIGH	HIGH
PC13	LOW	LOW	LOW	LOW	LOW	LOW	LOW	LOW	LOW	LOW	LOW	LOW
PC14	HIGH	HIGH	HIGH	HIGH	HIGH	HIGH	HIGH	HIGH	HIGH	HIGH	HIGH	HIGH
PC15	LOW	LOW	LOW	LOW	LOW	LOW	LOW	LOW	LOW	LOW	LOW	LOW
PC16	HIGH	HIGH	HIGH	HIGH	HIGH	HIGH	HIGH	HIGH	HIGH	HIGH	HIGH	HIGH

	BS1	BS2	BS3	BS4
BS1	LOW	LOW	LOW	LOW
BS2	HIGH	HIGH	HIGH	HIGH
BS3	LOW	LOW	LOW	LOW
BS4	HIGH	HIGH	HIGH	HIGH
TX1	LOW	LOW	LOW	LOW
TX2	LOW	LOW	LOW	LOW
TX3	LOW	LOW	LOW	LOW
TX4	LOW	LOW	LOW	LOW
TX5	LOW	LOW	LOW	LOW
TX6	LOW	LOW	LOW	LOW
TX7	LOW	LOW	LOW	LOW
TX8	LOW	LOW	LOW	LOW
TX9	LOW	LOW	LOW	LOW
TX10	LOW	LOW	LOW	LOW
TX11	LOW	LOW	LOW	LOW
TX12	LOW	LOW	LOW	LOW
TX13	LOW	LOW	LOW	LOW
TX14	LOW	LOW	LOW	LOW
TX15	LOW	LOW	LOW	LOW
TX16	LOW	LOW	LOW	LOW
TX17	LOW	LOW	LOW	LOW
TX18	LOW	LOW	LOW	LOW
TX19	LOW	LOW	LOW	LOW
TX20	LOW	LOW	LOW	LOW
TX21	LOW	LOW	LOW	LOW
TX22	LOW	LOW	LOW	LOW
TX23	LOW	LOW	LOW	LOW
TX24	LOW	LOW	LOW	LOW
TX25	LOW	LOW	LOW	LOW
TX26	LOW	LOW	LOW	LOW
TX27	LOW	LOW	LOW	LOW
TX28	LOW	LOW	LOW	LOW
TX29	LOW	LOW	LOW	LOW
TX30	LOW	LOW	LOW	LOW
TX31	LOW	LOW	LOW	LOW
TX32	LOW	LOW	LOW	LOW
TX33	LOW	LOW	LOW	LOW
TX34	LOW	LOW	LOW	LOW
TX35	LOW	LOW	LOW	LOW
TX36	LOW	LOW	LOW	LOW
TX37	LOW	LOW	LOW	LOW
TX38	LOW	LOW	LOW	LOW
TX39	LOW	LOW	LOW	LOW
TX40	LOW	LOW	LOW	LOW
TX41	LOW	LOW	LOW	LOW
TX42	LOW	LOW	LOW	LOW
TX43	LOW	LOW	LOW	LOW
TX44	LOW	LOW	LOW	LOW
TX45	LOW	LOW	LOW	LOW
TX46	LOW	LOW	LOW	LOW
TX47	LOW	LOW	LOW	LOW
TX48	LOW	LOW	LOW	LOW
TX49	LOW	LOW	LOW	LOW
TX50	LOW	LOW	LOW	LOW
TX51	LOW	LOW	LOW	LOW
TX52	LOW	LOW	LOW	LOW
TX53	LOW	LOW	LOW	LOW
TX54	LOW	LOW	LOW	LOW
TX55	LOW	LOW	LOW	LOW
TX56	LOW	LOW	LOW	LOW
TX57	LOW	LOW	LOW	LOW
TX58	LOW	LOW	LOW	LOW
TX59	LOW	LOW	LOW	LOW
TX60	LOW	LOW	LOW	LOW
TX61	LOW	LOW	LOW	LOW
TX62	LOW	LOW	LOW	LOW
TX63	LOW	LOW	LOW	LOW
TX64	LOW	LOW	LOW	LOW
TX65	LOW	LOW	LOW	LOW
TX66	LOW	LOW	LOW	LOW
TX67	LOW	LOW	LOW	LOW
TX68	LOW	LOW	LOW	LOW
TX69	LOW	LOW	LOW	LOW
TX70	LOW	LOW	LOW	LOW
TX71	LOW	LOW	LOW	LOW
TX72	LOW	LOW	LOW	LOW
TX73	LOW	LOW	LOW	LOW
TX74	LOW	LOW	LOW	LOW
TX75	LOW	LOW	LOW	LOW
TX76	LOW	LOW	LOW	LOW
TX77	LOW	LOW	LOW	LOW
TX78	LOW	LOW	LOW	LOW
TX79	LOW	LOW	LOW	LOW
TX80	LOW	LOW	LOW	LOW
TX81	LOW	LOW	LOW	LOW
TX82	LOW	LOW	LOW	LOW
TX83	LOW	LOW	LOW	LOW
TX84	LOW	LOW	LOW	LOW
TX85	LOW	LOW	LOW	LOW
TX86	LOW	LOW	LOW	LOW
TX87	LOW	LOW	LOW	LOW
TX88	LOW	LOW	LOW	LOW
TX89	LOW	LOW	LOW	LOW
TX90	LOW	LOW	LOW	LOW
TX91	LOW	LOW	LOW	LOW
TX92	LOW	LOW	LOW	LOW
TX93	LOW	LOW	LOW	LOW
TX94	LOW	LOW	LOW	LOW
TX95	LOW	LOW	LOW	LOW
TX96	LOW	LOW	LOW	LOW
TX97	LOW	LOW	LOW	LOW
TX98	LOW	LOW	LOW	LOW
TX99	LOW	LOW	LOW	LOW
TX100	LOW	LOW	LOW	LOW



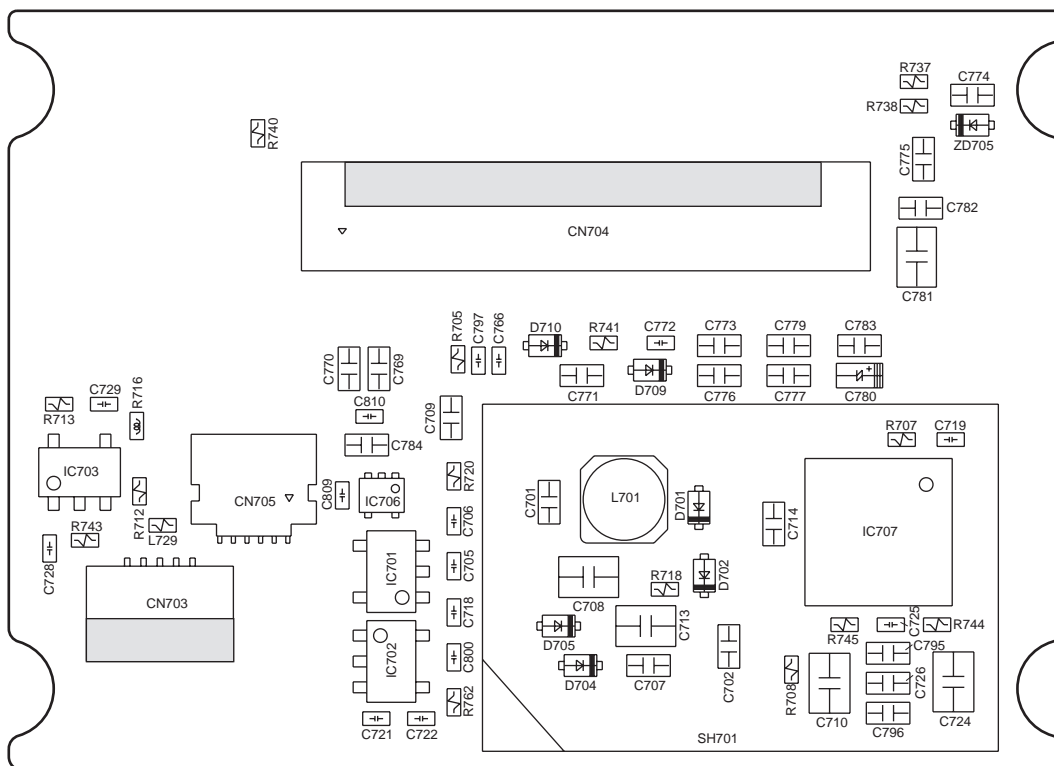


MAIN PWB\_REAR

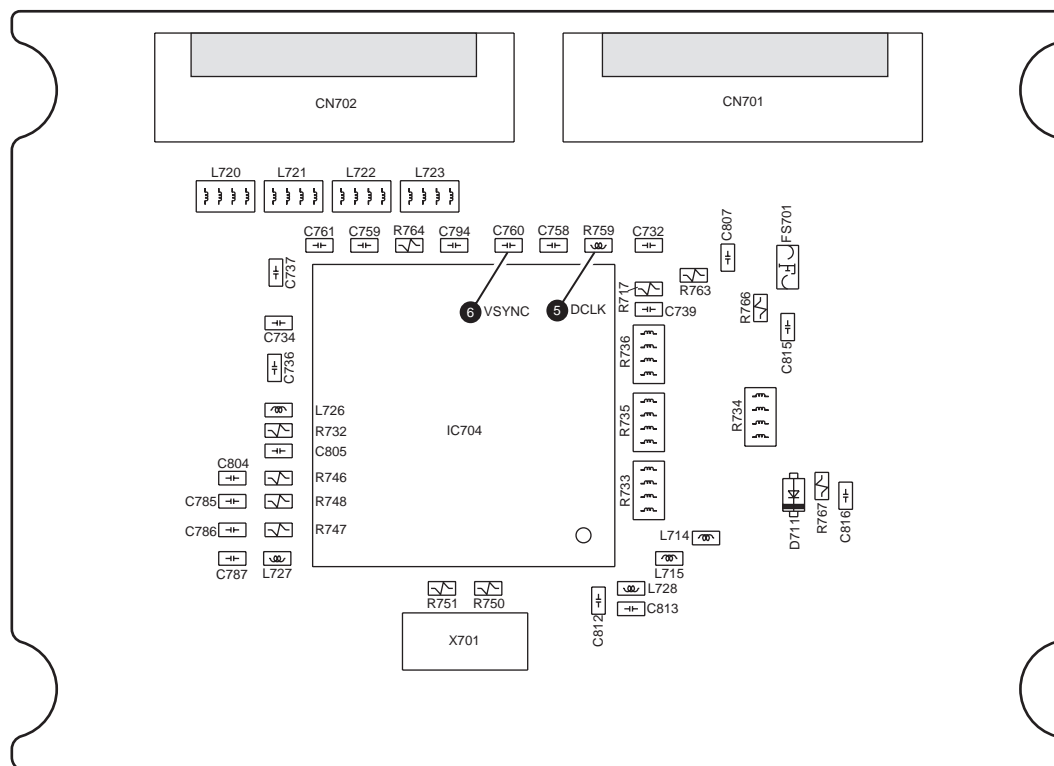




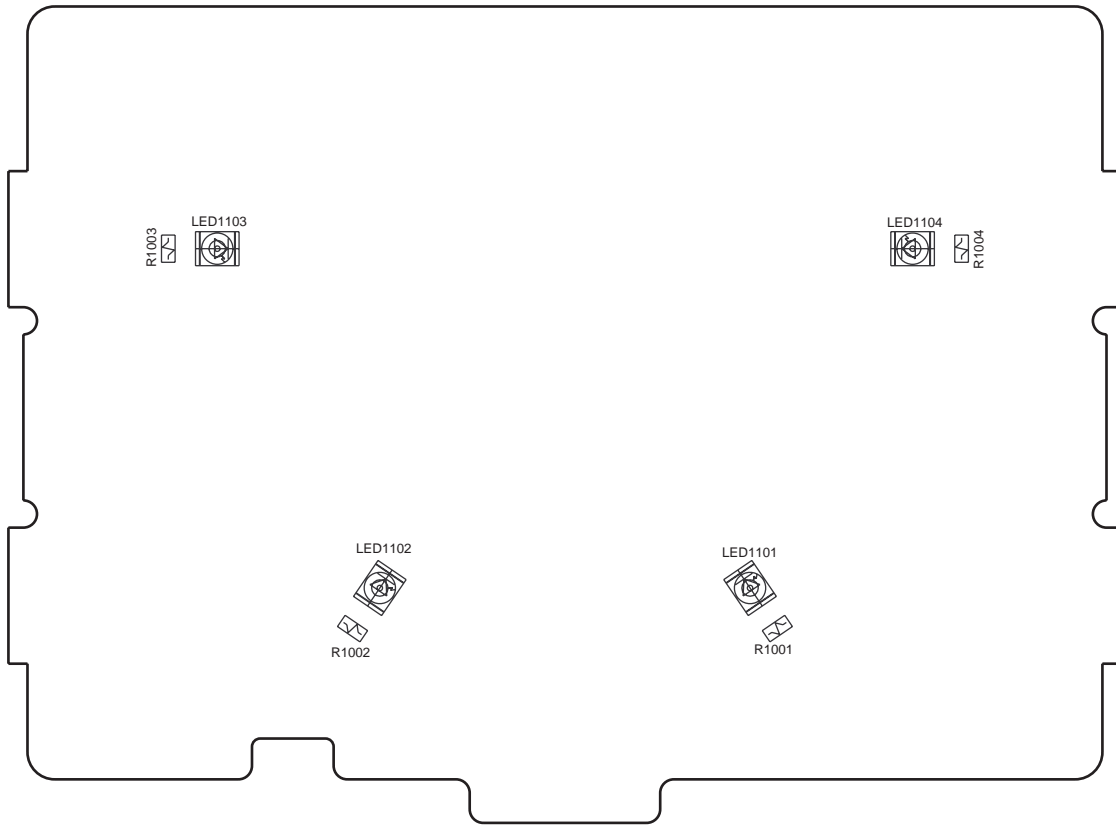
■ LCD PWB\_F



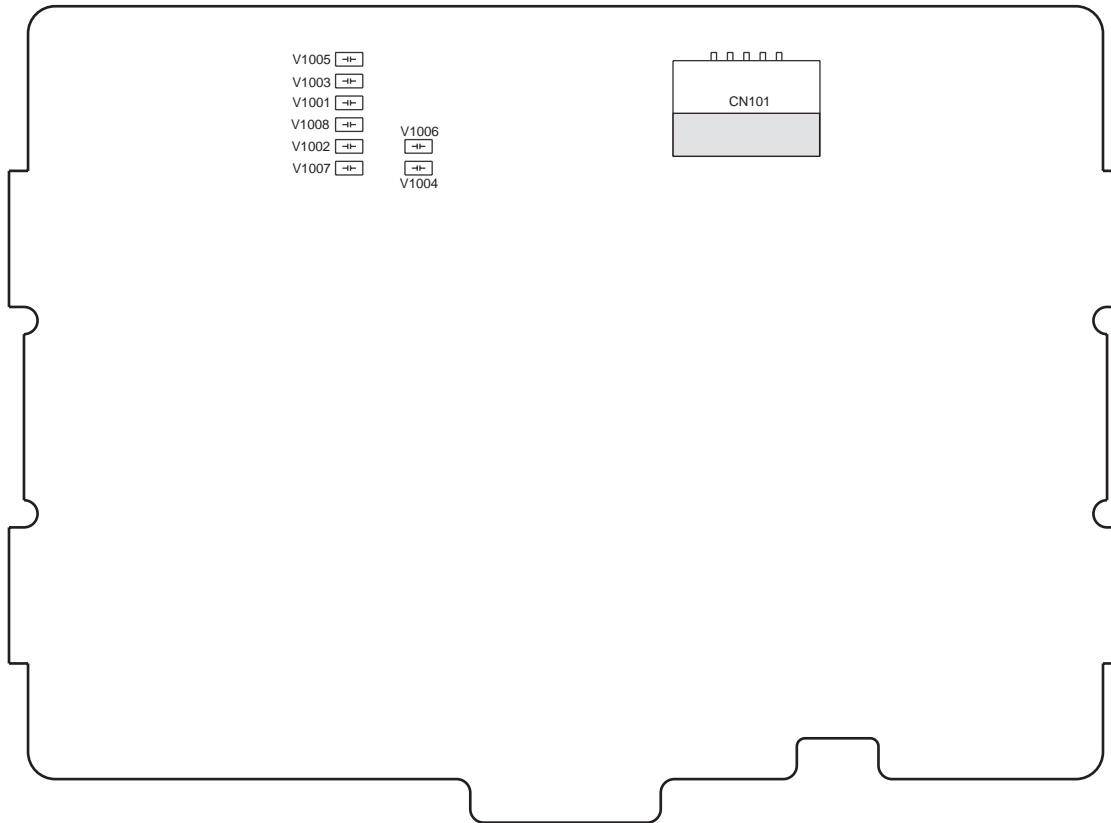
■ LCD PWB\_REAR



■ KEY PWB\_REAR



■ KEY PWB



■ CAMERA FPC

