

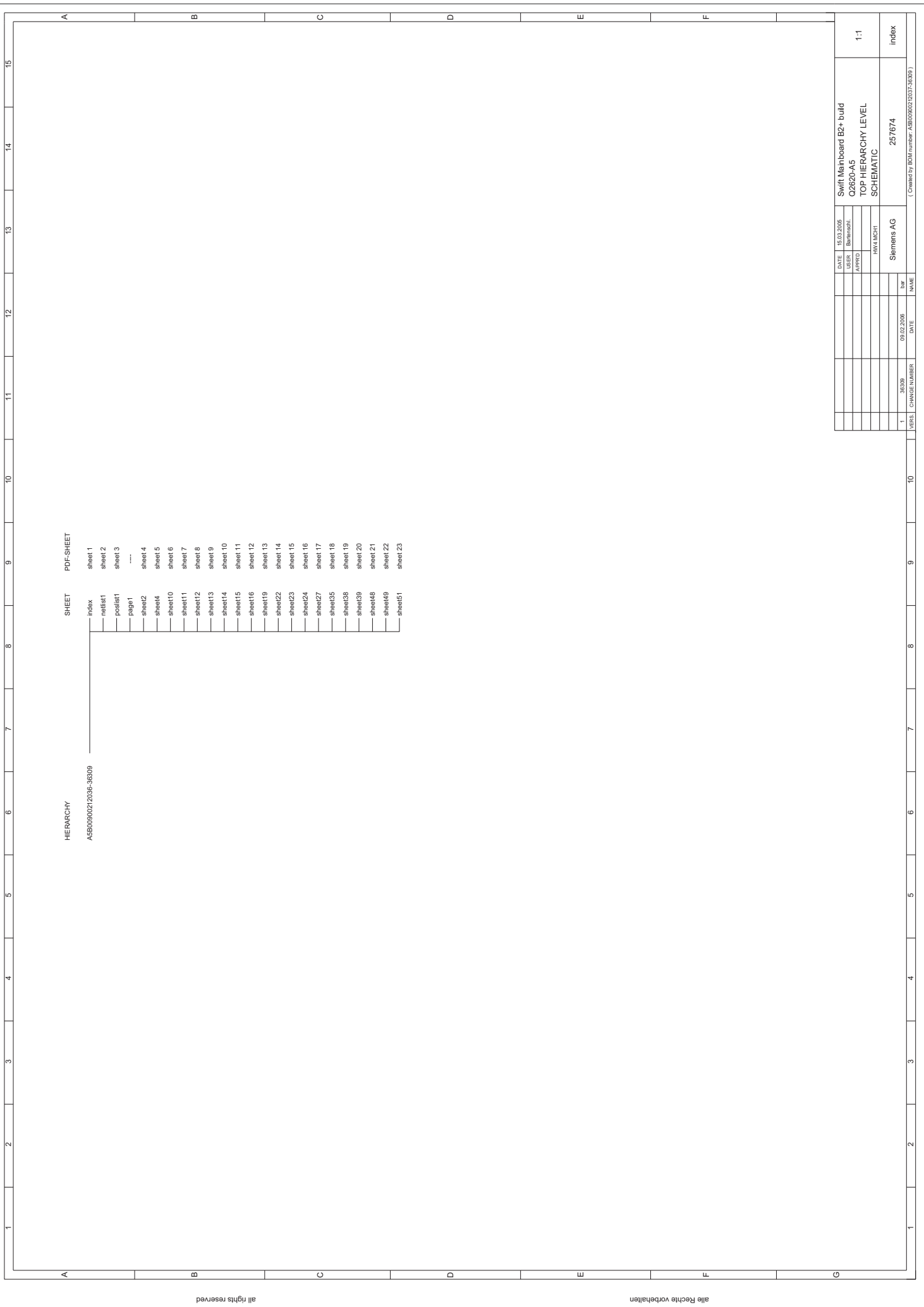
HIERARCHY

ASB00900212038-38309

SHEET	PDF-SHEET
Index	sheet 1
reflist	sheet 2
poslist	sheet 3
pgp1	---
sheet2	sheet 4
sheet4	sheet 5
sheet10	sheet 6
sheet11	sheet 7
sheet12	sheet 8
sheet13	sheet 9
sheet14	sheet 10
sheet15	sheet 11
sheet16	sheet 12
sheet19	sheet 13
sheet22	sheet 14
sheet23	sheet 15
sheet24	sheet 16
sheet27	sheet 17
sheet35	sheet 18
sheet38	sheet 19
sheet39	sheet 20
sheet46	sheet 21
sheet49	sheet 22
sheet51	sheet 23

DATE		15.03.2005
USER	Barmannh.	
APPD		
	HW4 MCHT	
	Siemens AG	
		257674
(Created by BOM number ASB00900212037-38309)		

Swift Mainboard B2+ build		1:1
OZ620-A5		Index
TOP HIERARCHY LEVEL		
SCHEMATIC		

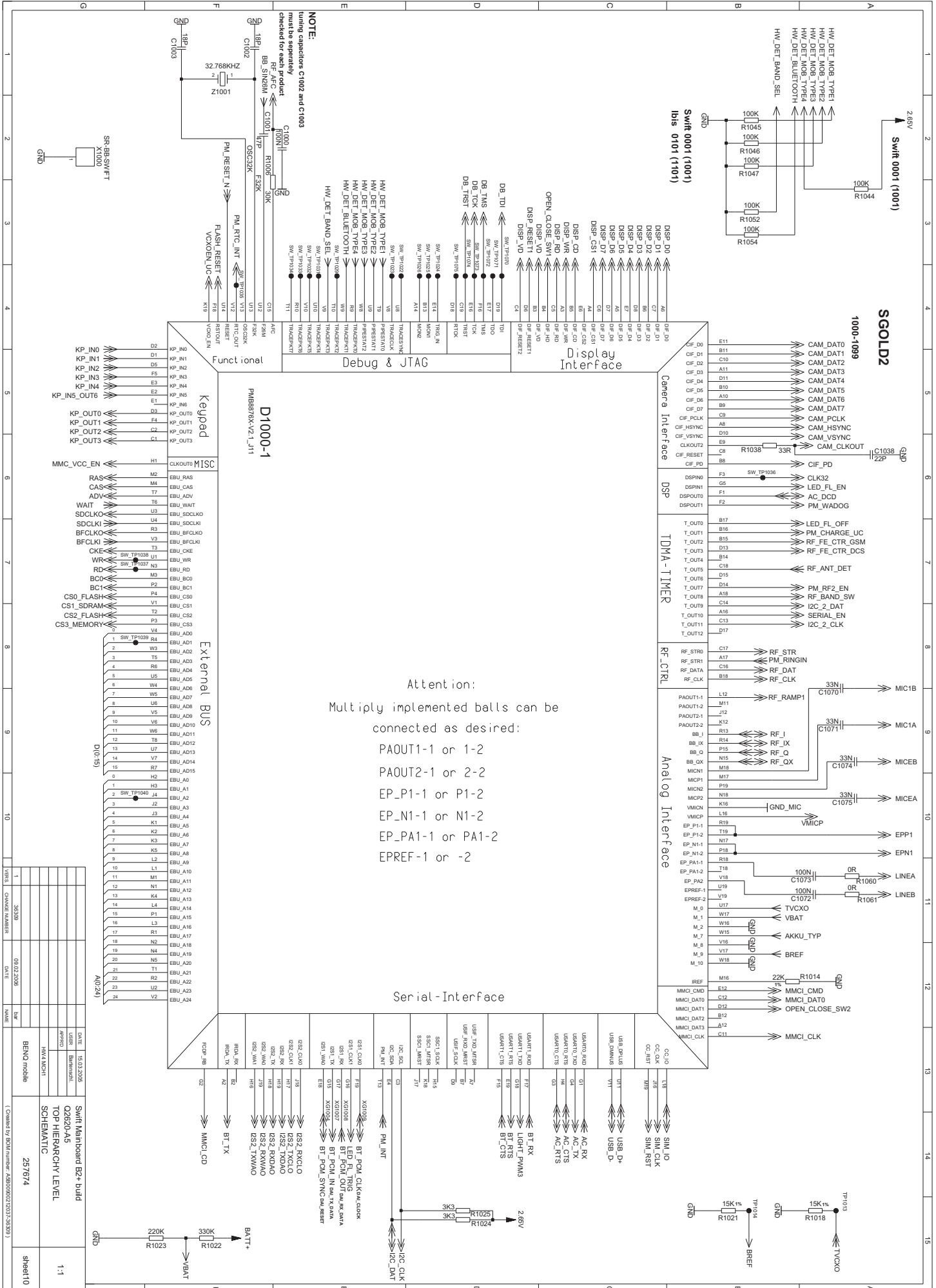


TABLE_OF_CONTENTS_PLATFORM

PAGE	BLOCK	STATUS
1	TOP HIERARCHICAL OVERVIEW	EMPTY
2	TABLE OF CONTENTS PLATFORM	
3	TABLE OF CONTENTS PROJECT	EMPTY
4	DEFINITION OF HIT POINTS	
5-8	DEFINITION OF HIT POINTS	EMPTY
9	DEBUG CONNECTOR	EMPTY
10	SGOLD2	
11	SGOLD2 SUPPLY DOMAIN	
12	SDRAM FLASH	
13	MOZART / TWIGO	
14	BATTERY CONNECTOR	
15	IO-CONNECTOR	
16	SIM-CONNECTOR	
17	SPEAKER SOLUTION 1	EMPTY
19	MICROPHONE CIRCUIT 1	
21	VIBRA	EMPTY
22	DISPLAY CONNECTOR	
23	DISPLAY/ KEYPAD BACKLIGHT CONTROL	
24	NIGHT DESIGN	EMPTY
26	IRDA	EMPTY
27	MMI CONNECTOR	
28	KEYPAD BACKLIGHT	EMPTY
32	OPEN/CLOSE DETECTION	EMPTY
35	CAMERA INTERFACE	
38	ANTENNA CIRCUIT with small PA	
39	RF HITACHI BRIGHT	
44	AMBIENT LIGHT SENSOR	EMPTY
45	BAROMETER	EMPTY
48	MMC-READER	
49	LED FLASHLIGHT with out LED	
51	BLUETOOTH SOLUTION 2	
54	AUDIO-VIDEO INTERFACE	EMPTY

PAGE	BLOCK	STATUS
94	Keypad as components	EMPTY
98	NAND FLASH	EMPTY
99	DEBUG	EMPTY

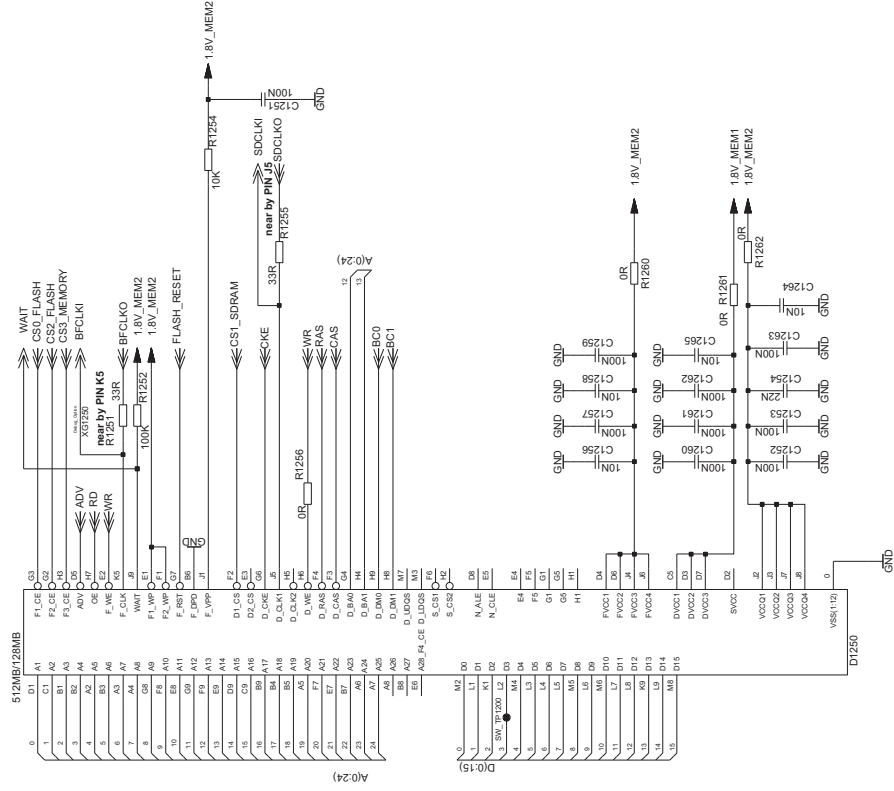
DATE	15.03.2005	Swift Mainboard B2+ build	1:1
USER	Baumhoel	O2620-A5	
APPNO		TOP HIERARCHY LEVEL	
		SCHEMATIC	
	HW4 MCHT		
	BENO mobile	257674	sheet2
DATE	09.02.2008		
	36309		
VERSI.	CHANGE NUMBER		
1			



FLASH_SDRAM

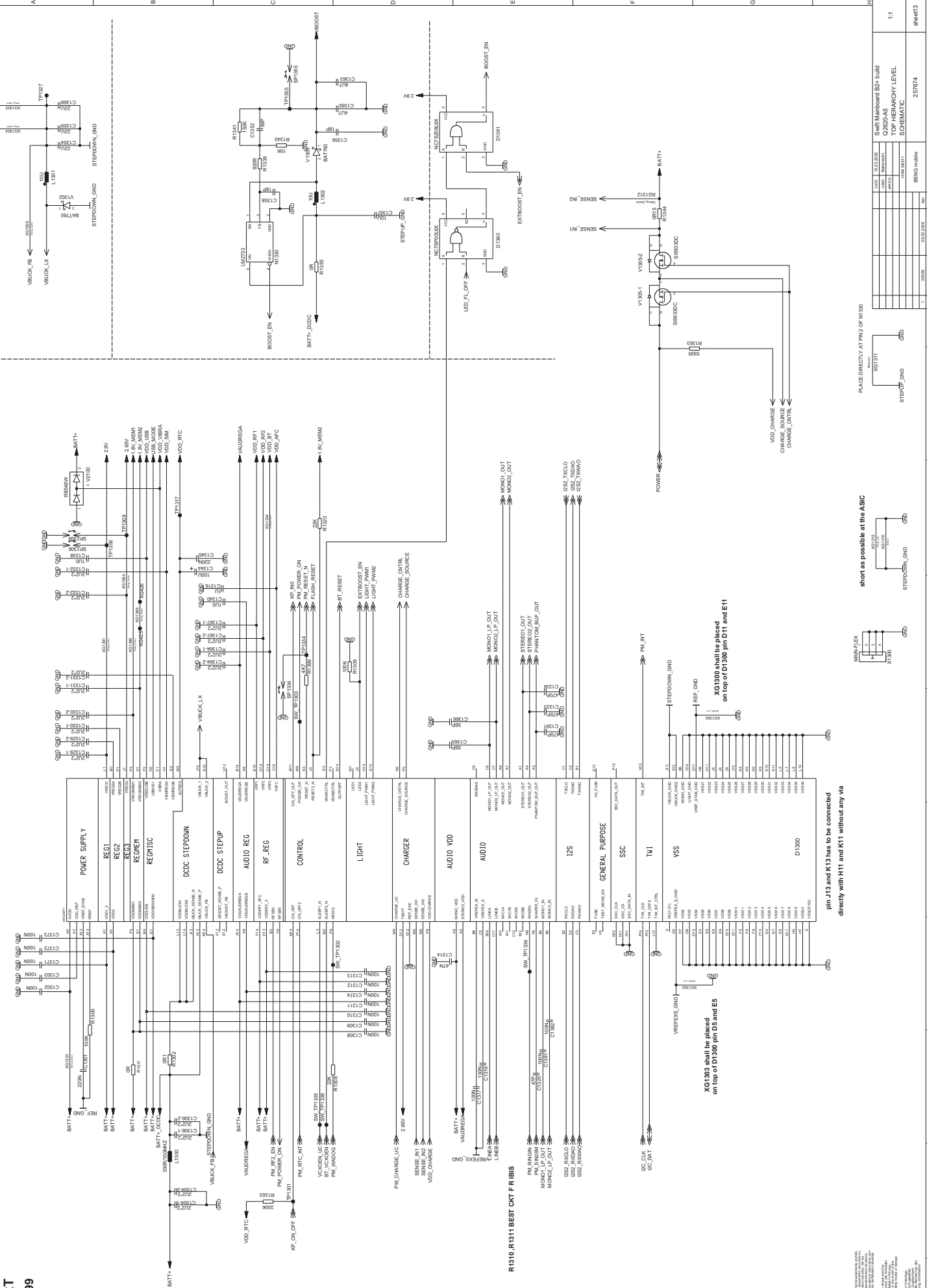
1200-1299

Proprietary data. Company confidential.
alle Rechte vorbehalten
Alle Betriebsgeheimnisse anvertraut



DATE	15.03.2005
USER	Barmenohl
APPNO	
HWAICHT	
BENOM	BENO mobile
257674	
BW	
NAME	
DATE	09.02.2008
36309	
CHANGE NUMBER	
VRS	1
VP	
VPIS	

Swift Mainboard B2+ build
O2620-A5
TOP HIERARCHY LEVEL
SCHEMATIC
1:1
sheet12
(Created by BOM number: A5B00902203738399)



R1310, R1311 BEST CKT F R IBIS

XG1303 shall be placed on top of D1300 pin D5 and E5

XG1303 shall be placed on top of D1300 pin D11 and E11

pin J13 and K13 has to be connected directly with H11 and K11 without any via

short as possible at the ASIC

PLACE DIRECTLY AT PIN2 OF N1300

REV	DATE	BY	CHKD	APPD	REASON
1	03/02/2010	SW			
2	03/02/2010	SW			

REV	DATE	BY	CHKD	APPD	REASON
1	03/02/2010	SW			
2	03/02/2010	SW			

REV	DATE	BY	CHKD	APPD	REASON
1	03/02/2010	SW			
2	03/02/2010	SW			

REV	DATE	BY	CHKD	APPD	REASON
1	03/02/2010	SW			
2	03/02/2010	SW			

REV	DATE	BY	CHKD	APPD	REASON
1	03/02/2010	SW			
2	03/02/2010	SW			

REV	DATE	BY	CHKD	APPD	REASON
1	03/02/2010	SW			
2	03/02/2010	SW			

REV	DATE	BY	CHKD	APPD	REASON
1	03/02/2010	SW			
2	03/02/2010	SW			

REV	DATE	BY	CHKD	APPD	REASON
1	03/02/2010	SW			
2	03/02/2010	SW			

REV	DATE	BY	CHKD	APPD	REASON
1	03/02/2010	SW			
2	03/02/2010	SW			

REV	DATE	BY	CHKD	APPD	REASON
1	03/02/2010	SW			
2	03/02/2010	SW			

REV	DATE	BY	CHKD	APPD	REASON
1	03/02/2010	SW			
2	03/02/2010	SW			

REV	DATE	BY	CHKD	APPD	REASON
1	03/02/2010	SW			
2	03/02/2010	SW			

REV	DATE	BY	CHKD	APPD	REASON
1	03/02/2010	SW			
2	03/02/2010	SW			

REV	DATE	BY	CHKD	APPD	REASON
1	03/02/2010	SW			
2	03/02/2010	SW			

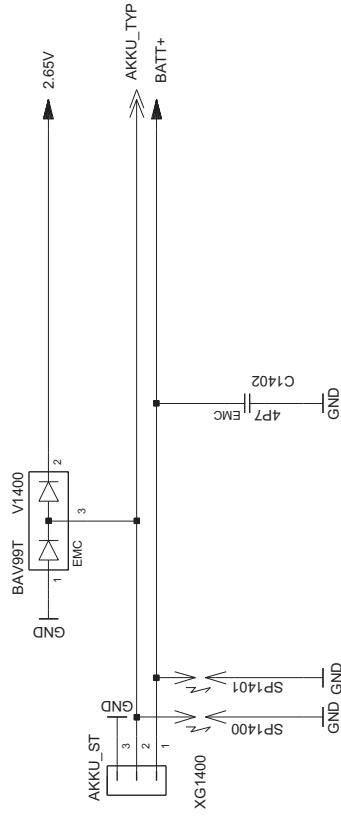
REV	DATE	BY	CHKD	APPD	REASON
1	03/02/2010	SW			
2	03/02/2010	SW			

REV	DATE	BY	CHKD	APPD	REASON
1	03/02/2010	SW			
2	03/02/2010	SW			

REV	DATE	BY	CHKD	APPD	REASON
1	03/02/2010	SW			
2	03/02/2010	SW			

BATTERY_CONNECTOR

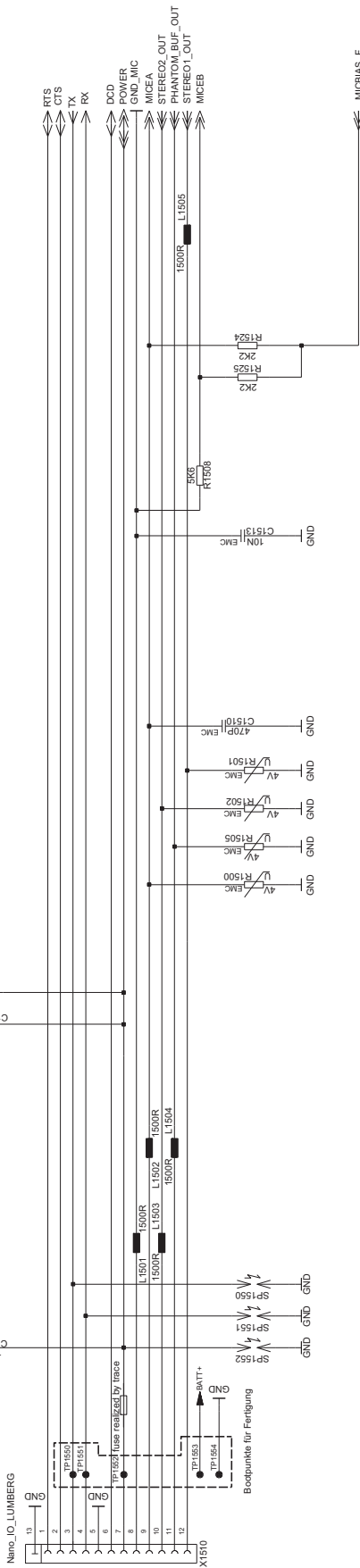
1400-1449



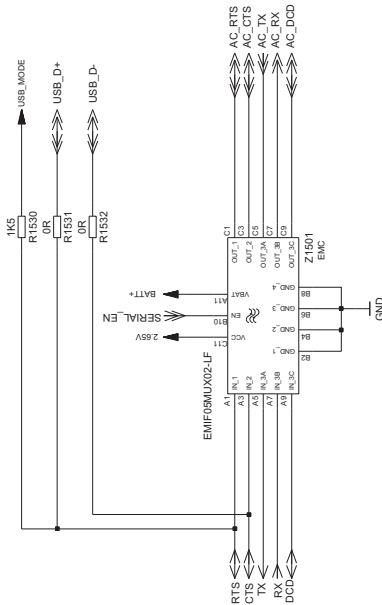
DATE	15.03.2005	USER	Barfischl.	APPRD		DATE	09.02.2006	VERS.	1	CHANGE NUMBER	36309	NAME	dar
				HVG/MCH1								BENQ mobile	
												257674	
												sheet14	
												1:1	
												Swift Mainboard B2+ build Q2620-A5 TOP HIERARCHY LEVEL SCHEMATIC	
												(Created by BOM number: A5B00900212037-36309)	

IO_CONNECTOR

1500-4599



Proprietary data, Company confidential.
alle Rechte vorbehalten



Alle Betriebsgehörnis anvertraut
alle Rechte vorbehalten

DATE	15.03.2005	Baumzahl:	
USER			
APPNO			
HW4 MCHT			
BENQ mobile			
1	30.09	09.02.2008	Em
VPIS	CHANGE NUMBER	DATE	NAME
Swift Mainboard B2+ build			
O2620-A5			
TOP HIERARCHY LEVEL			
SCHEMATIC			
257674			
(Created by BOM number: A8B090022037-3839)			

1:1

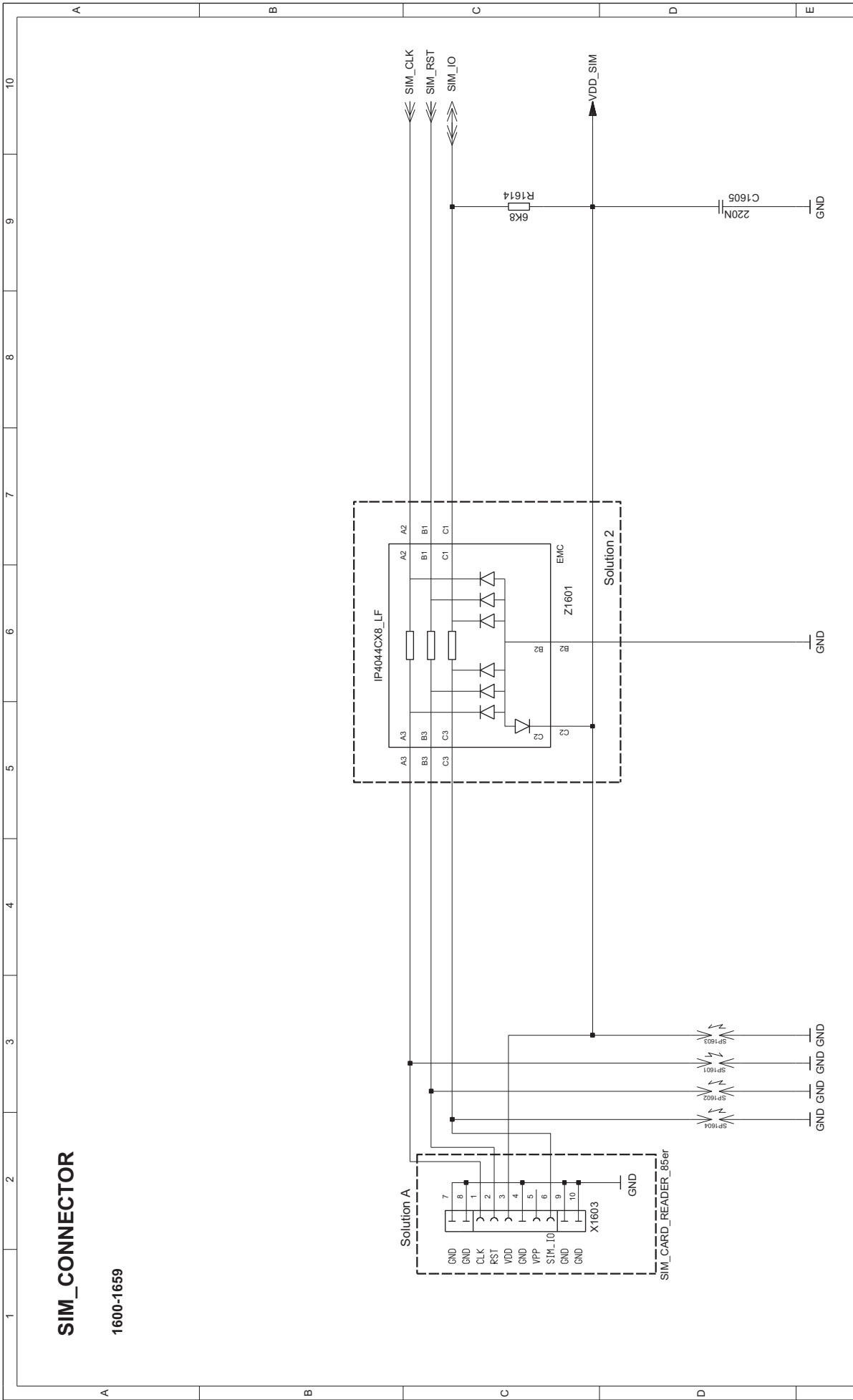
sheet 15

SIM_CONNECTOR

1600-1659

Alle Rechte vorbehalten
 Proprietary data, company confidential.
 All rights reserved

Als Betriebsgeheimnis anvertraut
 TOP HIERARCHY LEVEL
 SCHEMATIC



DATE	15.03.2005	USER	Barfenschil.
APPRD			
HWG: MCH1			
VERS.	1	CHANGE NUMBER	36309
DATE	09.02.2006	NAME	dar
BENQ mobile			
257674			
Swift Mainboard B2+ build Q2620-A5			
TOP HIERARCHY LEVEL SCHEMATIC			
1:1			
sheet16			

(Created by BOM number: A5B00900212037-36309)

1

5

4

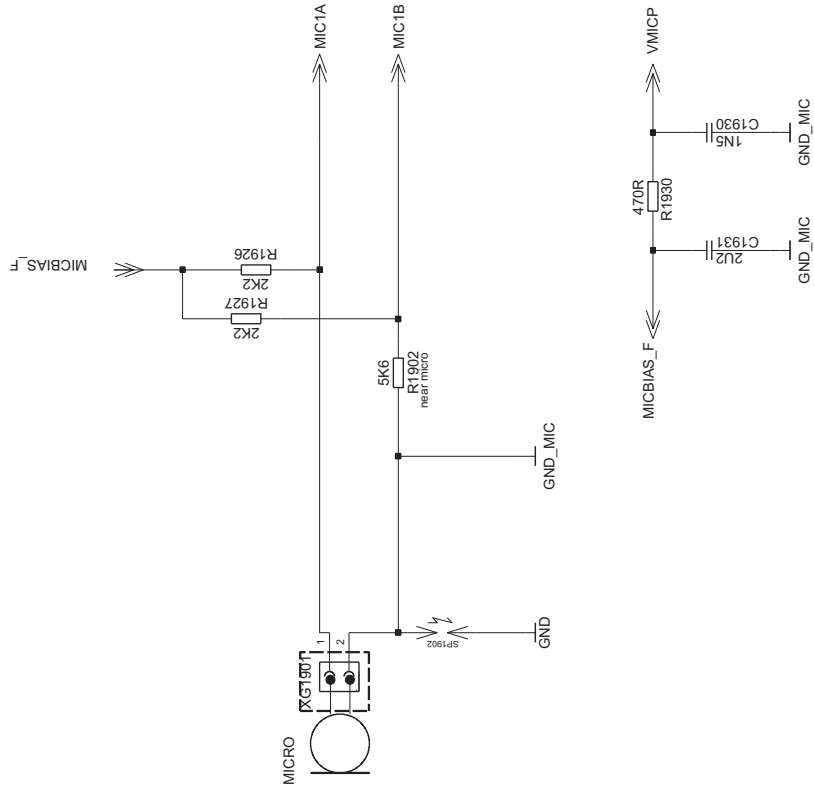
3

2

1

MICROPHONE_CIRCUIT_1

1900-1999



Alle Betriebsgeheimnisse anvertraut
All Rights vorbehalten
Proprietary data, company confidential.

DATE	15.03.2005	USER	Barfischl.	Swift Mainboard B2+ build	
APPRD				Q2620-A5	
				TOP HIERARCHY LEVEL	
				SCHEMATIC	
				257674	
				sheet19	
				(Created by BOM number: A5B00900212037-38309)	
VER.	1	CHANGE NUMBER	36309	DATE	09.02.2006
				NAME	dar
					BENQ mobile
					HVG1 MCH1

1:1

1

4

5

6

7

8

9

10

A

B

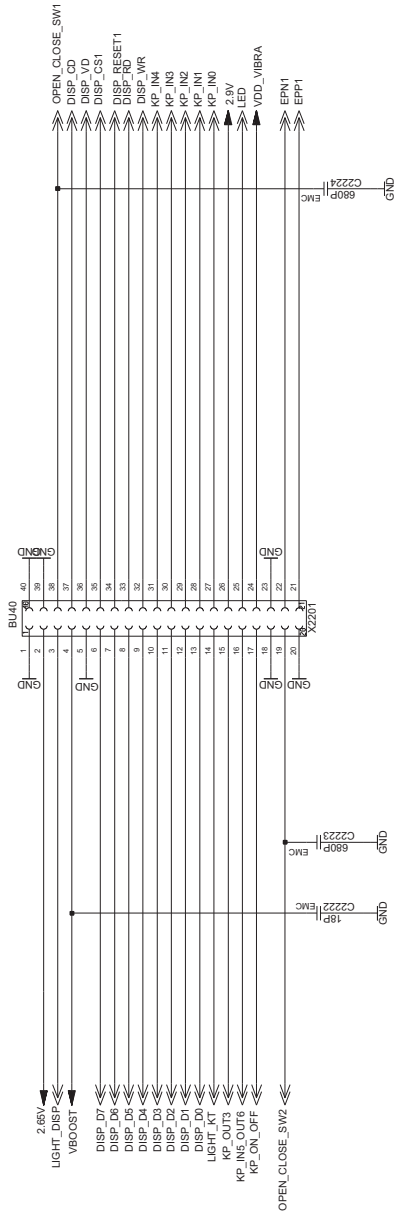
C

D

E

(DISPLAY/SLIDER_CONNECTOR) - B2B CONNECTOR

2200-2299



DATE	15.03.2005	Swift Mainboard B2+ build
USER	Barrenschl.	O2R20-A5
APPNO		TOP HIERARCHY LEVEL
		SCHEMATIC
		257674
		(Created by BOM number: A8B000022037-3839)

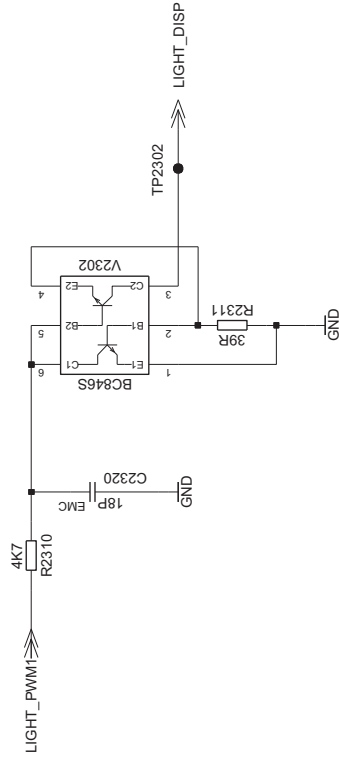
DATE	USER	NAME
09.02.2008		
30.09		
1	CHANGE NUMBER	DATE
1	30.09	09.02.2008
1	30.09	09.02.2008

1 2 3 4 5 6 7 8 9 10

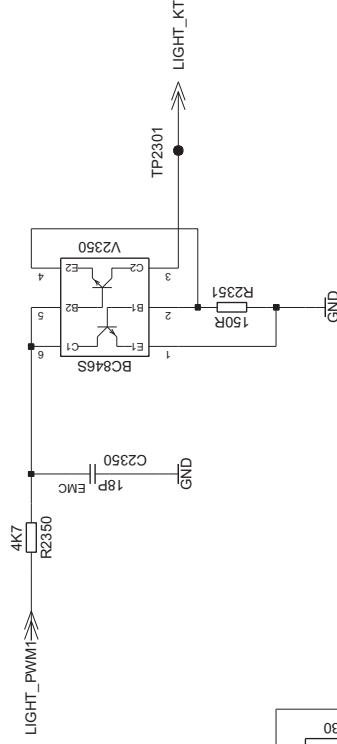
DISPLAY/ KEYPAD BACKLIGHT CONTROL

2300-2399

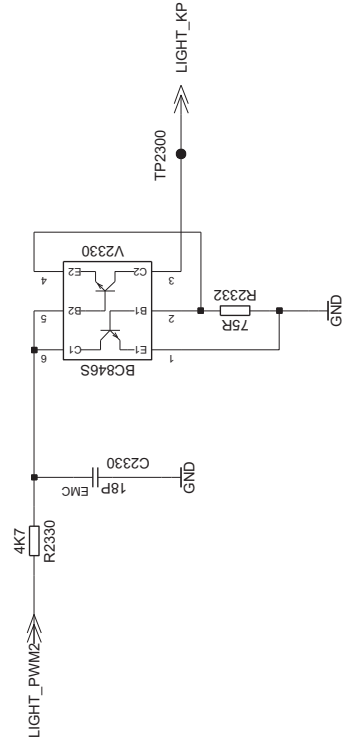
MAIN_DISPLAY



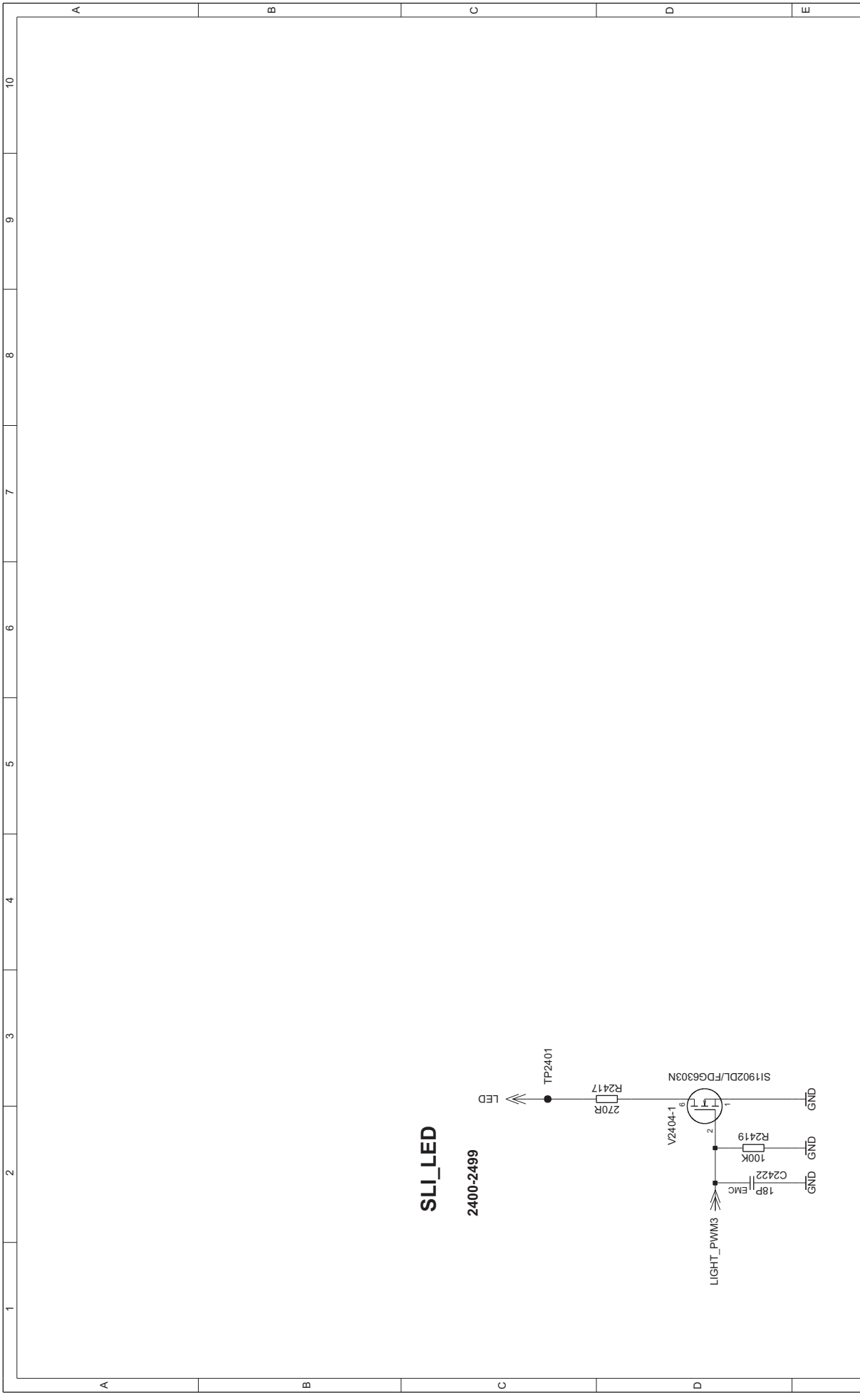
KEYPAD SLIDER TOP



KEYPAD BASE



DATE 15.03.2005			Swift Mainboard B2+ build		
USER	Barfenschil.		Q2620-A5		
APPRD			TOP HIERARCHY LEVEL		
HWG4 MCH1			SCHEMATIC		
BENQ mobile			257674		
bar	09.02.2006		sheet23		
NAME	DATE		VERS. CHANGE NUMBER		
1	36309		1		
			Created by BOM number: A5600900212037-36309		



10 9 8 7 6 5 4 3 2 1

A B C D E

DATE		15.03.2005
USER	Bartenschil.	
APPRD		
HWG MCH1		
BENQ mobile		
(Created by BOM number: A5B00900212037-38309)		
1	36309	09.02.2006
VERS.	CHANGE NUMBER	DATE
		dar
		NAME

Swift Mainboard B2+ build
 Q2620-A5
 TOP HIERARCHY LEVEL
 SCHEMATIC

257674

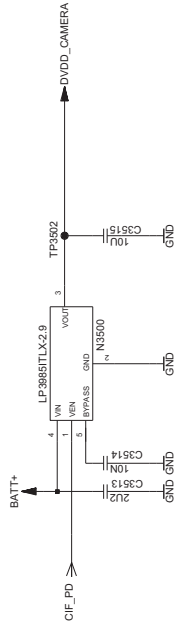
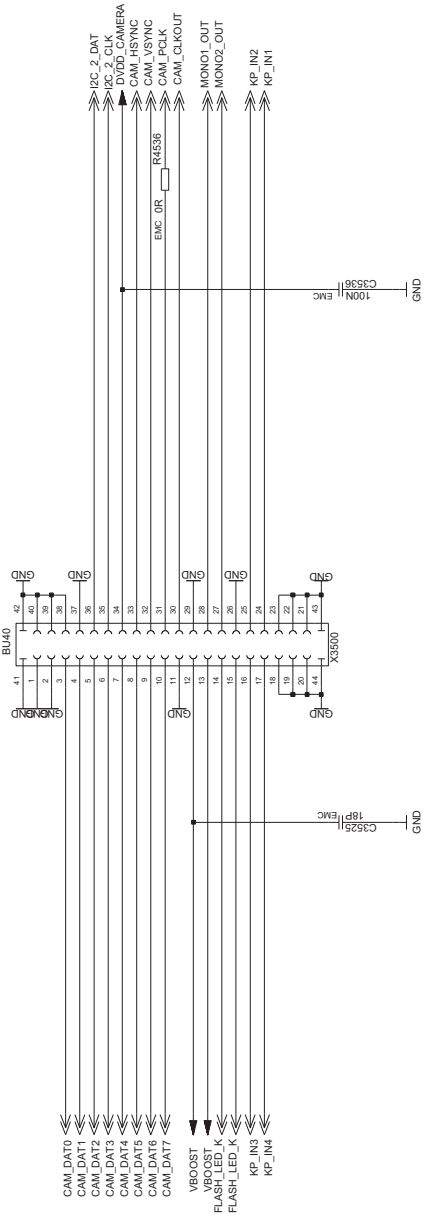
1:1

sheet24

Camera Interface

3500-3579

DUMMY CAMERA CONNECTOR

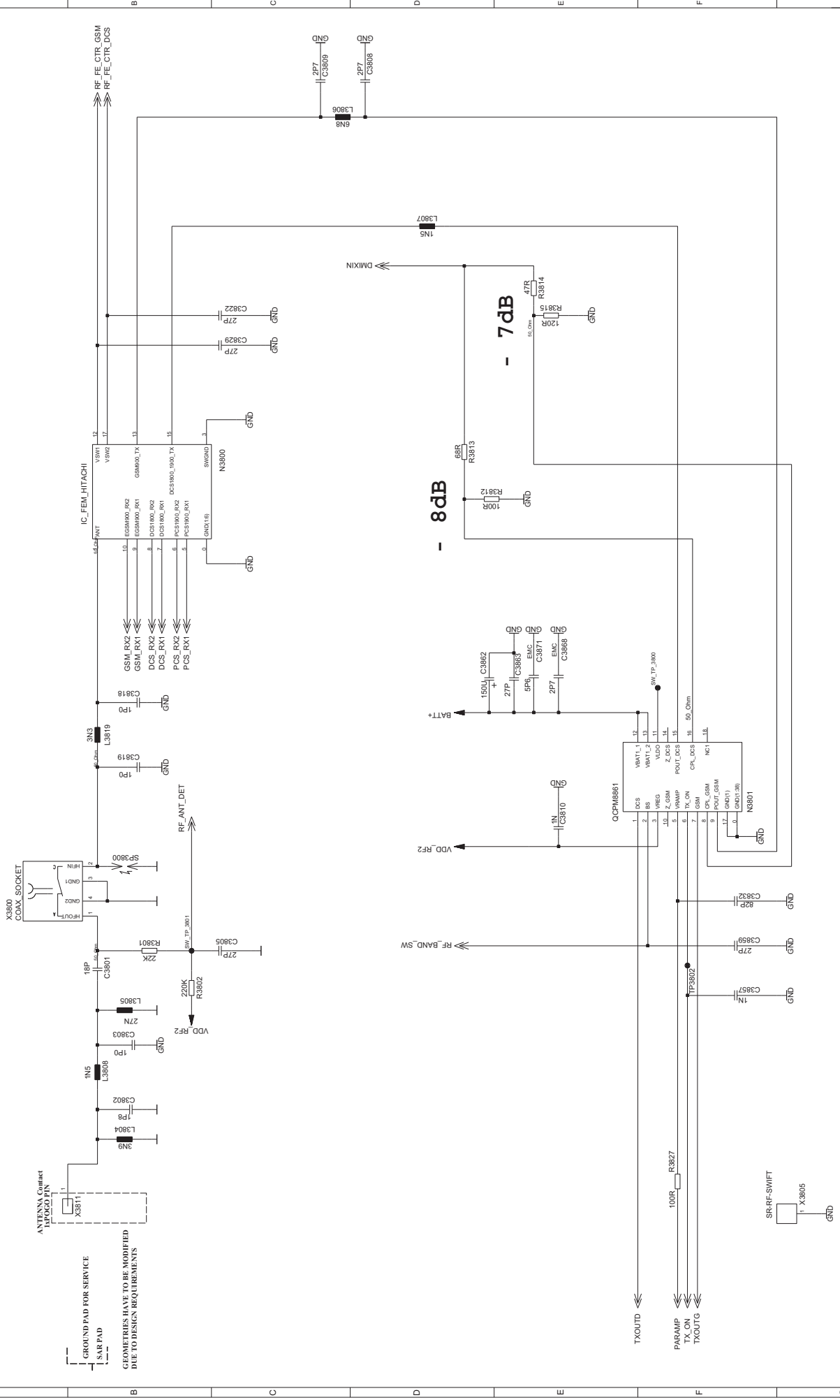


DATE	15.03.2005	Swift Mainboard B2+ build
USER	Baumhohl	O2620-A5
APPNO		TOP HIERARCHY LEVEL
		SCHEMATIC
	HW4 MCH1	
	BENO mobile	257674
VPIS	CHANGE NUMBER	
1	3600	09.02.2008
		DATE
		NAME

ANTENNA_CIRCUIT with small PA

3800-3849

ANT



Proprietary data. Company confidential.
alle Rechte vorbehalten
Alle Betriebsgeheimnisse anvertraut

all rights reserved

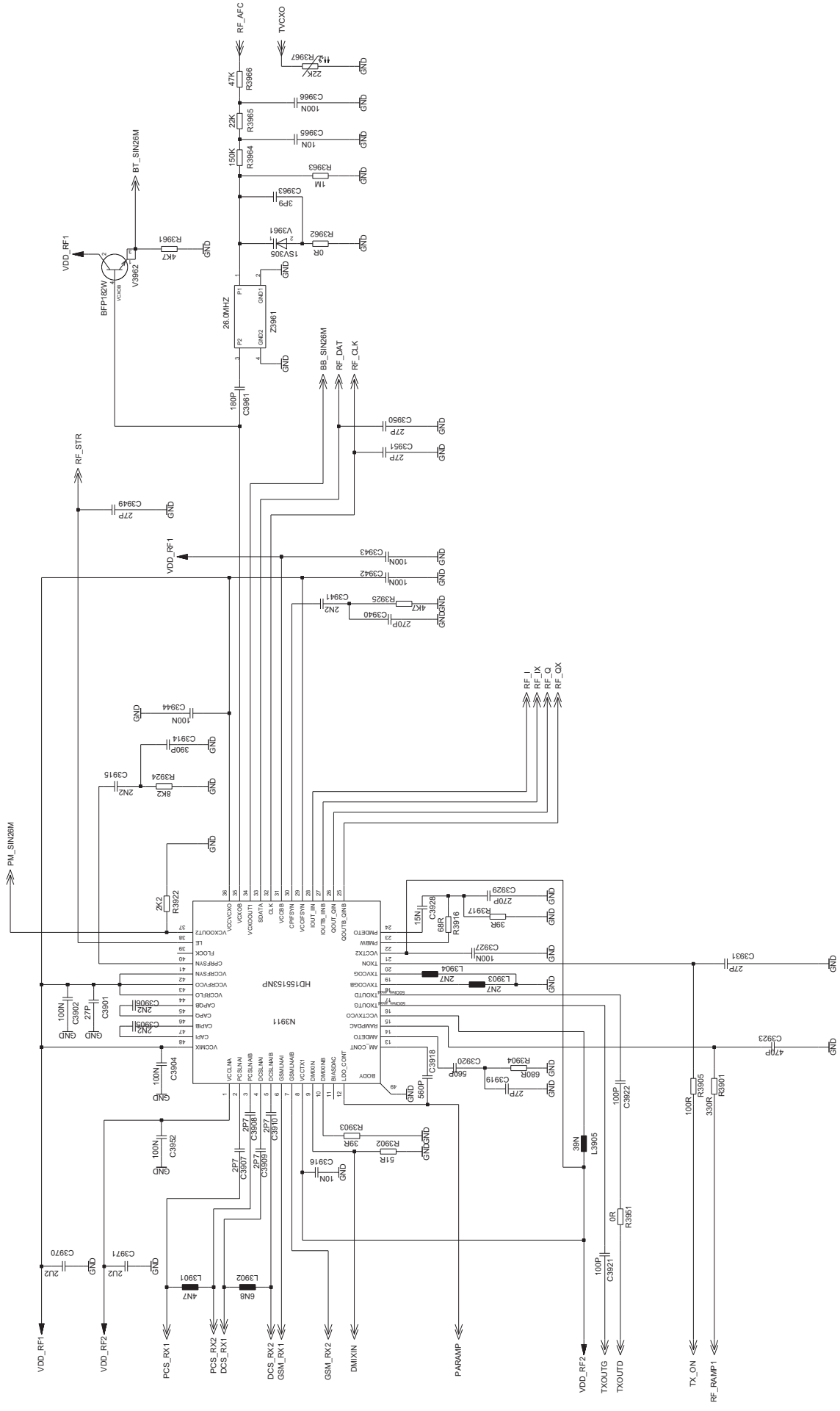
DATE	15.03.2005	USER	Barmannh.	APPD	HW4 MCHT	BENQ mobile	257674	NAME	DATE	NAME
1	3800	CHANGE NUMBER	09.02.2005							

Swift Mainboard B2+ build											
O2R20-A5											
TOP HIERARCHY LEVEL											
SCHEMATIC											
1.1											
sheet 38											

(Created by BOM number: A8B09002203738399)

RF_HITACHI_BRIGHT

3900-3999



Proprietary data, Company confidential.
all rights reserved

Alle Betriebsgeheimnisse anvertraut
alle Rechte vorbehalten

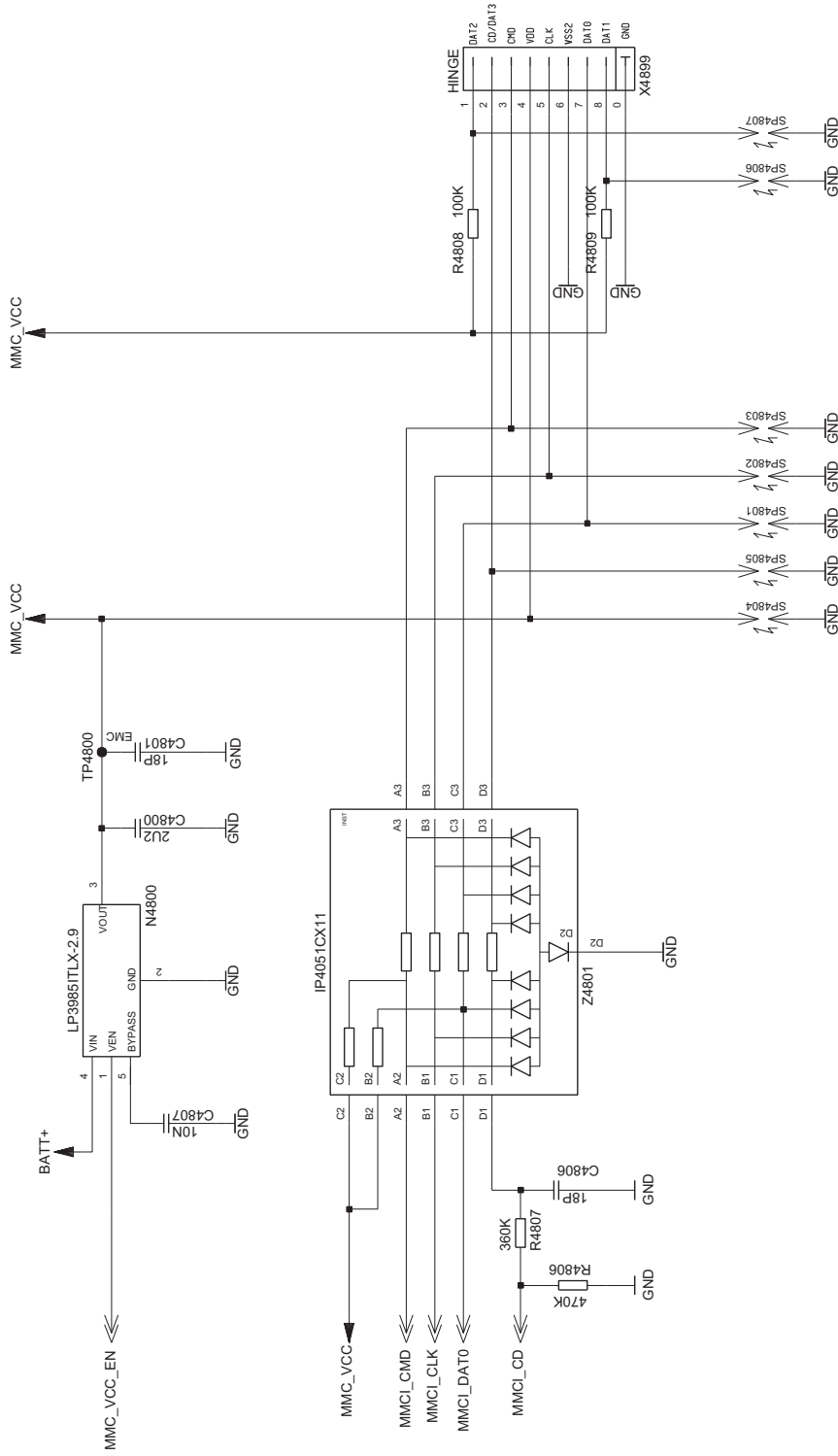
DATE	USER	APPD	REV	NAME	DATE
15.03.2005	Barmannh				
Swift Mainboard B2+ build 02R20-A5 TOP HIERARCHY LEVEL SCHEMATIC					
				257674	sheet 39

DATE	USER	APPD	REV	NAME	DATE
15.03.2005	Barmannh				
Swift Mainboard B2+ build 02R20-A5 TOP HIERARCHY LEVEL SCHEMATIC					
				257674	sheet 39

MMC READER

4800-4899

IRDA_TX



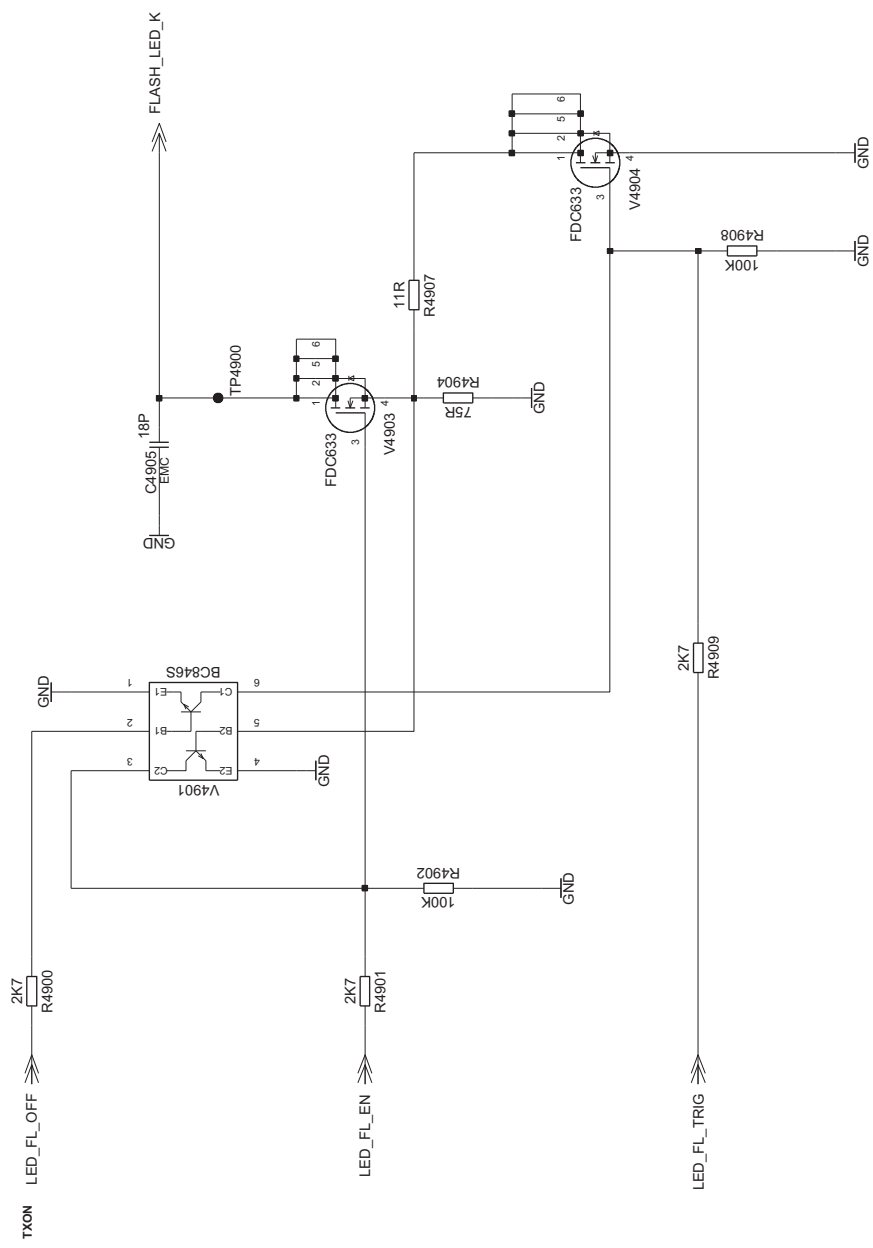
Alle Betriebsgeheimnisse anvertraut
 Als Betriebsgeheimnis vorbehalten

Proprietary data, company confidential.
 All rights reserved

DATE	15.03.2005	USER	Barfieschil
APPRD			
HIVG MCH1			
VER.	1	CHANGE NUMBER	36309
		DATE	09.02.2006
		NAME	dar
Swift Mainboard B2+ build		257674	
Q2620-A5		sheet48	
TOP HIERARCHY LEVEL			
SCHEMATIC			
1:1			
(Created by BOM number: A5B00900212037-36309)			

LED FLASHLIGHT

4900-4999



LED FLASHLIGHT	Page 49	R4903	Partnumber
Vboost	20,7	10 Ohm (0805)	A5B00026462423
Vboost	19,7	remove or 0 Ohm	

DATE	15.03.2005	USER	Barfenschil.
APPRD			
HVW	MCH1		
BENQ	mobile		
DATE	09.02.2006	NAME	dar
CHANGE NUMBER	36309		
VERS.	1		
Swift Mainboard B2+ build		257674	
Q2620-A5		TOP HIERARCHY LEVEL	
SCHEMATIC		sheet49	
1:1			

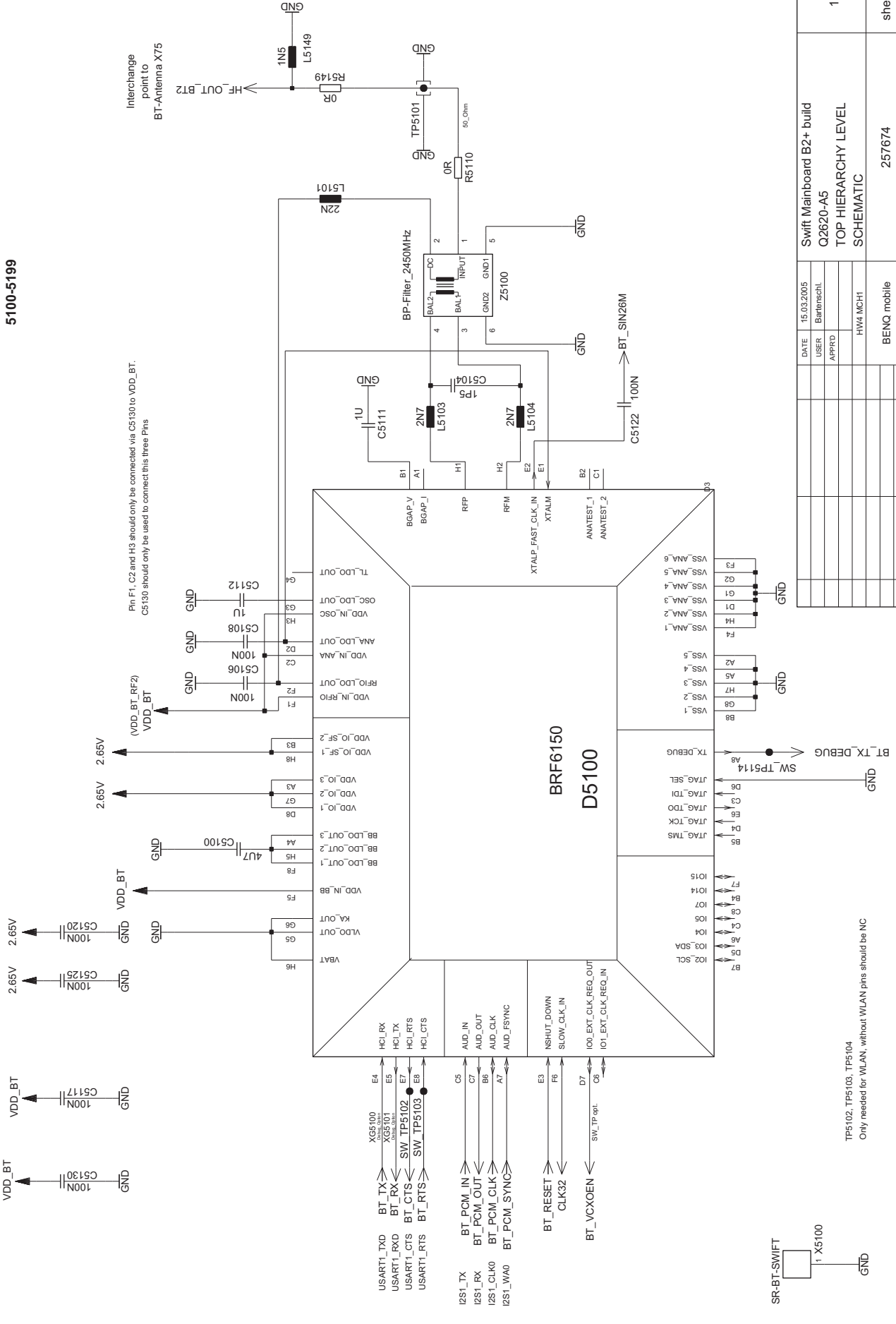
(Created by BOM number: A5B00900212037-36309)

BLUETOOTH Solution 2

5100-5199

Alle Betriebsgeheimnisse anvertraut
 All rights reserved
 Proprietary data, company confidential.

Als Betriebsgeheimnis anvertraut
 Alle Rechte vorbehalten



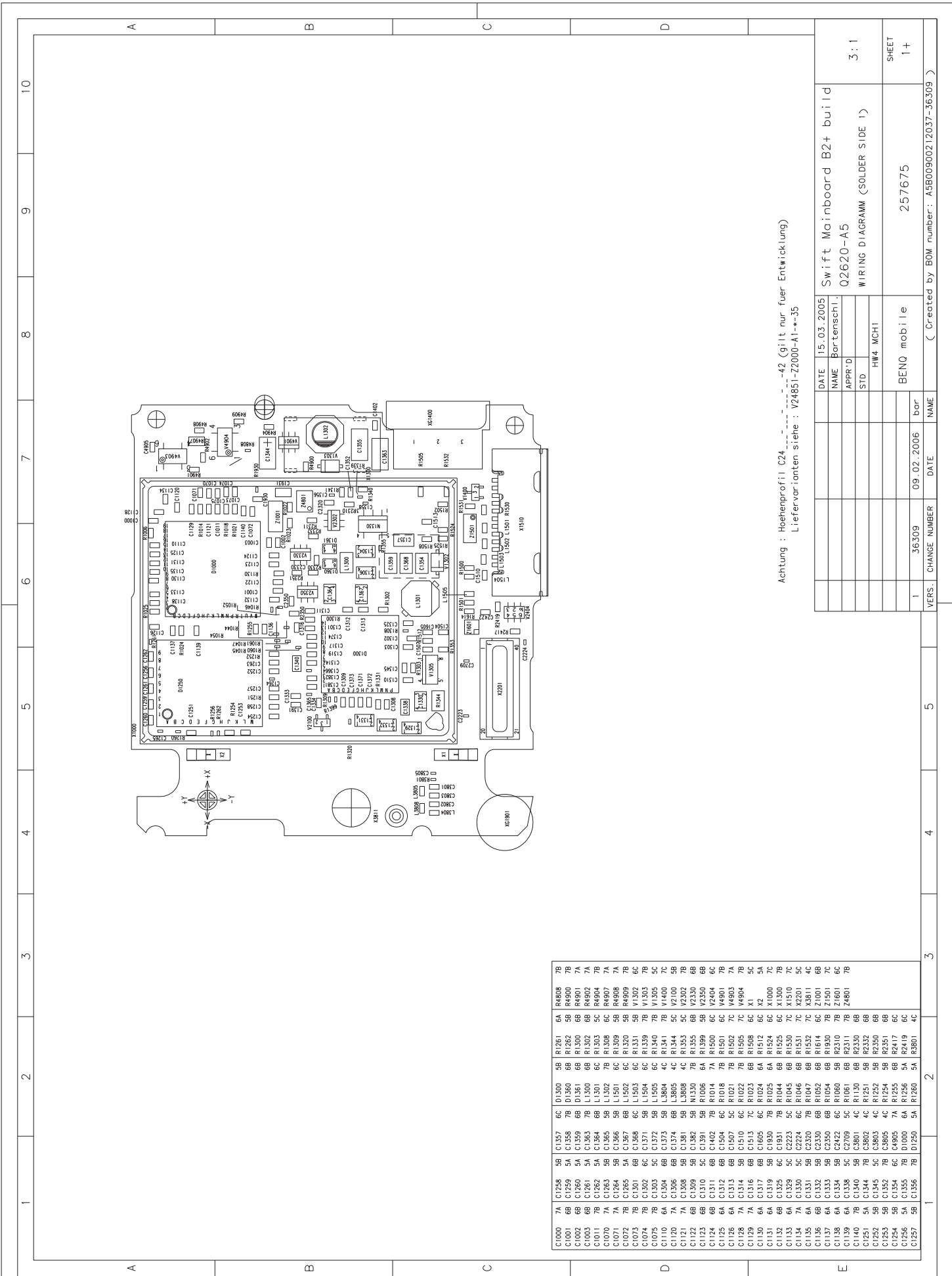
Pin F1, C2 and H3 should only be connected via C5130 to VDD_BT.
 C5130 should only be used to connect this three Pins

Pin F1, C2 and H3 should only be connected via C5130 to VDD_BT.
 C5130 should only be used to connect this three Pins

DATE	15.03.2005	USER	Barfischschil
APPRD			
VERS.	1	CHANGE NUMBER	36309
DATE	09.02.2006	NAME	dar
BENG mobile		257674	
HIVG MCH1		257674	
Swift Mainboard B2+ build		257674	
Q2620-A5		257674	
TOP HIERARCHY LEVEL		257674	
SCHEMATIC		257674	
1:1		sheet51	

DATE	15.03.2005	USER	Barfischschil
APPRD			
VERS.	1	CHANGE NUMBER	36309
DATE	09.02.2006	NAME	dar
BENG mobile		257674	
HIVG MCH1		257674	
Swift Mainboard B2+ build		257674	
Q2620-A5		257674	
TOP HIERARCHY LEVEL		257674	
SCHEMATIC		257674	
1:1		sheet51	

TP5102, TP5103, TP5104
 Only needed for WLAN, without WLAN pins should be NC



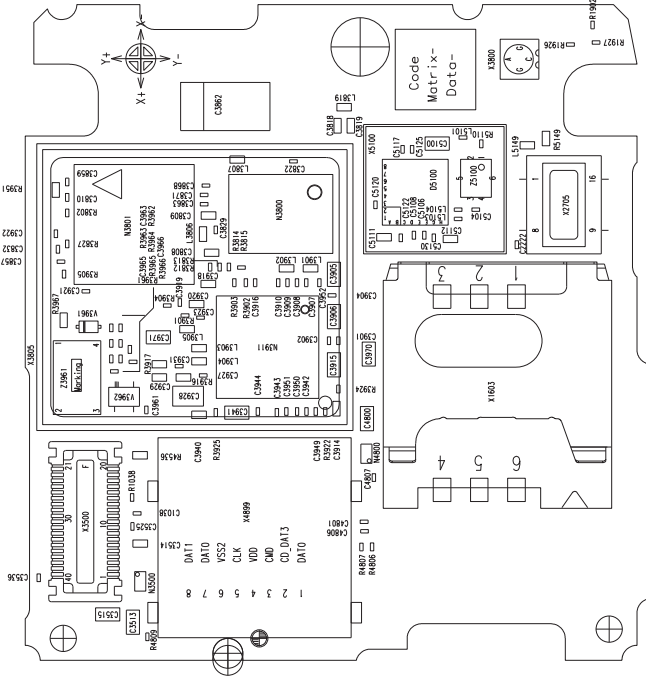
Achtung : Hoehenprofil C24-----42 (gilt nur fuer Entwicklung)
Liefervarianten siehe : V24851-Z2000-A1--35

DATE 15.03.2005			Swift Mainboard B2+ build		
NAME Bortenschl.			Q2620-A5		
APPR D			WIRING DIAGRAM (SOLDER SIDE 1)		
STD			HM4 MCHI		
BENO mobile			257675		
VERS 1			36309		
CHANGE NUMBER			09.02.2006		
NAME			bar		

(Created by BOM number : A5800900212037-36309)

C1000	7A	C1258	5B	C1357	6C	D1300	5B	R1261	6A	R4808	7B
C1001	6B	C1259	5A	C1358	7B	D1360	6B	R1262	5B	R4900	7B
C1002	6B	C1260	5A	C1359	6B	D1361	6B	R1300	6B	R4901	7A
C1003	6B	C1261	5A	C1363	7B	L1300	6B	R1302	6B	R4902	7A
C1011	7B	C1262	5A	C1364	6B	L1301	6C	R1303	5C	R4904	7B
C1070	7A	C1263	5B	C1365	5B	L1302	7B	R1308	6C	R4907	7A
C1071	7A	C1264	5B	C1366	5B	L1303	6C	R1309	5B	R4908	7A
C1072	7B	C1265	5A	C1367	6B	L1502	6C	R1320	5B	R4909	7B
C1073	7B	C1301	6B	C1368	6C	L1503	6C	R1331	5B	V3302	6C
C1074	7B	C1302	6C	C1371	5B	L1504	6C	R1339	7B	V3303	7B
C1107	7A	C1303	5C	C1372	6C	L1505	6C	R1353	7B	V3305	7C
C1110	6A	C1304	6B	C1373	5B	L1803	4C	R1371	7A	V4400	7C
C1120	7A	C1306	6B	C1374	6B	L3805	4C	R1374	7B	V4401	7C
C1121	7A	C1308	5B	C1381	5B	L3808	4C	R1375	5C	V2300	5B
C1122	6B	C1309	5B	C1382	5B	N1330	7B	R1355	6B	V2302	6B
C1123	6B	C1310	5C	C1391	5B	N1330	6B	R1358	6B	V2330	6B
C1124	6B	C1311	6B	C1402	7B	R1006	6A	R1399	5B	V2350	6B
C1125	6A	C1312	6B	C1504	6C	R1014	7A	R1500	6C	V2404	6C
C1126	6A	C1313	6B	C1507	5C	R1018	7B	R1501	6C	V4901	7B
C1128	7A	C1314	5B	C1510	6C	R1021	7B	R1502	7C	V4903	7A
C1129	7A	C1316	6B	C1513	7C	R1022	7B	R1505	7C	V4904	7B
C1130	6A	C1317	6B	C1605	6C	R1024	6A	R1508	6C	X1	5A
C1131	6A	C1319	5B	C1930	7B	R1025	6A	R1512	6C	X2	5A
C1132	6A	C1320	5C	C2021	6C	R1030	7C	R1524	6C	X1000	7C
C1133	6A	C1329	5C	C2223	6C	R1045	6B	R1525	7C	X1500	7C
C1134	7A	C1330	5C	C2324	6C	R1046	6B	R1531	7C	X2201	5C
C1135	6A	C1331	5B	C2330	7B	R1047	6B	R1532	7C	X2811	4C
C1136	6B	C1332	5B	C2330	6B	R1052	6B	R1614	6C	Z1001	6B
C1137	6A	C1333	5B	C2350	6B	R1054	6B	R1930	7B	Z1501	7C
C1138	6A	C1334	5B	C2422	6C	R1060	5B	R2310	7B	Z1601	6C
C1139	6A	C1338	5C	C2709	5C	R1061	6B	R2311	7B	Z4801	7B
C1140	7B	C1340	5B	C3801	4C	R1130	5B	R2330	6B		
C1251	5A	C1344	7B	C3802	4C	R1251	5B	R2332	6B		
C1252	5B	C1345	5C	C3803	4C	R1252	5B	R2350	6B		
C1253	5B	C1352	7B	C3805	4C	R1254	5B	R2351	6B		
C1254	5B	C1354	7C	C4805	7A	R1255	6A	R2417	6C		
C1255	6A	C1355	7B	D1260	5A	R1260	5A	R2418	6C		
C1257	5B	C1356	7B	D1260	5A	R1260	5A	R3801	4C		

C1038	4A	C3923	5B	L3819	6B	R3963	5A
C222	5C	C3927	5B	L3901	5B	R3964	5A
C313	5A	C3928	5A	L3902	5A	R3965	5A
C315	4A	C3929	5A	L3903	5B	R3966	5A
C315	3A	C3931	5B	L3904	5B	R3967	5A
C3525	4A	C3940	4B	L3905	5B	R4536	4A
C3536	4A	C3941	4B	L5101	6C	R4606	4B
C3808	5B	C3942	4B	L5103	6C	R4607	4B
C3809	5B	C3943	4B	L5104	5C	R4609	3A
C3810	6A	C3944	4B	L5149	6C	R5110	6C
C3818	6B	C3949	4B	N3500	4A	R5149	6C
C3819	6B	C3950	4B	N3600	6B	V3961	5A
C3822	6B	C3951	4B	N3901	6A	V3962	5A
C3829	5B	C3952	5B	N3911	5B	X1603	5A
C3832	5A	C3961	4A	R6800	4B	X2705	6C
C3859	6A	C3962	5A	R1902	6C	X3800	6C
C3862	6B	C3966	5A	R1926	6C	X3805	6B
C3863	5B	C3970	5B	R1927	6C	X4809	4B
C3868	6B	C3971	5B	R3802	5A	X5100	5B
C3871	6B	C4800	4B	R3812	5B	Z3961	5A
C3901	5B	C4801	4B	R3813	5B	Z5100	6C
C3902	5B	C4806	4B	R3814	5B		
C3904	5B	C4807	4B	R3815	5B		
C3905	5B	C5100	6C	R3827	5A		
C3907	5B	C5104	5C	R3901	5B		
C3908	5B	C5108	5C	R3902	5B		
C3909	5B	C5109	5C	R3903	5B		
C3910	5B	C5112	5C	R3905	5B		
C3914	4B	C5117	6B	R3916	5B		
C3915	5B	C5120	6B	R3917	5A		
C3916	5B	C5122	5B	R3922	4B		
C3918	5B	C5125	6B	R3924	4B		
C3919	5B	C5130	5C	R3925	4B		
C3920	5B	D5100	5B	R3951	6A		
C3921	5A	L3806	5B	R3961	5A		
C3922	5A	L3807	6B	R3962	5A		



Achtung : Hoehenprofil C24-----42 (gilt nur fuer Entwicklung)
Liefervarianten siehe : V24851-Z2000-A1--35

DATE	15.03.2005	Swift Mainboard B2+ build
NAME	Bortenschl.	Q2620-A5
APPR'D		WIRING DIAGRAM (SOLDER SIDE 2)
STD		
HW4 MCHI		
BENO	mobile	257675
VERS.	1	36309
CHANGE NUMBER	09.02.2006	bar
NAME		
(Created by BOM number : A5800900212037-36309)		

10

9

8

7

6

5

4

3

2

1

2

3

4

5

6

7

8

9

10

11

12

13

14

15

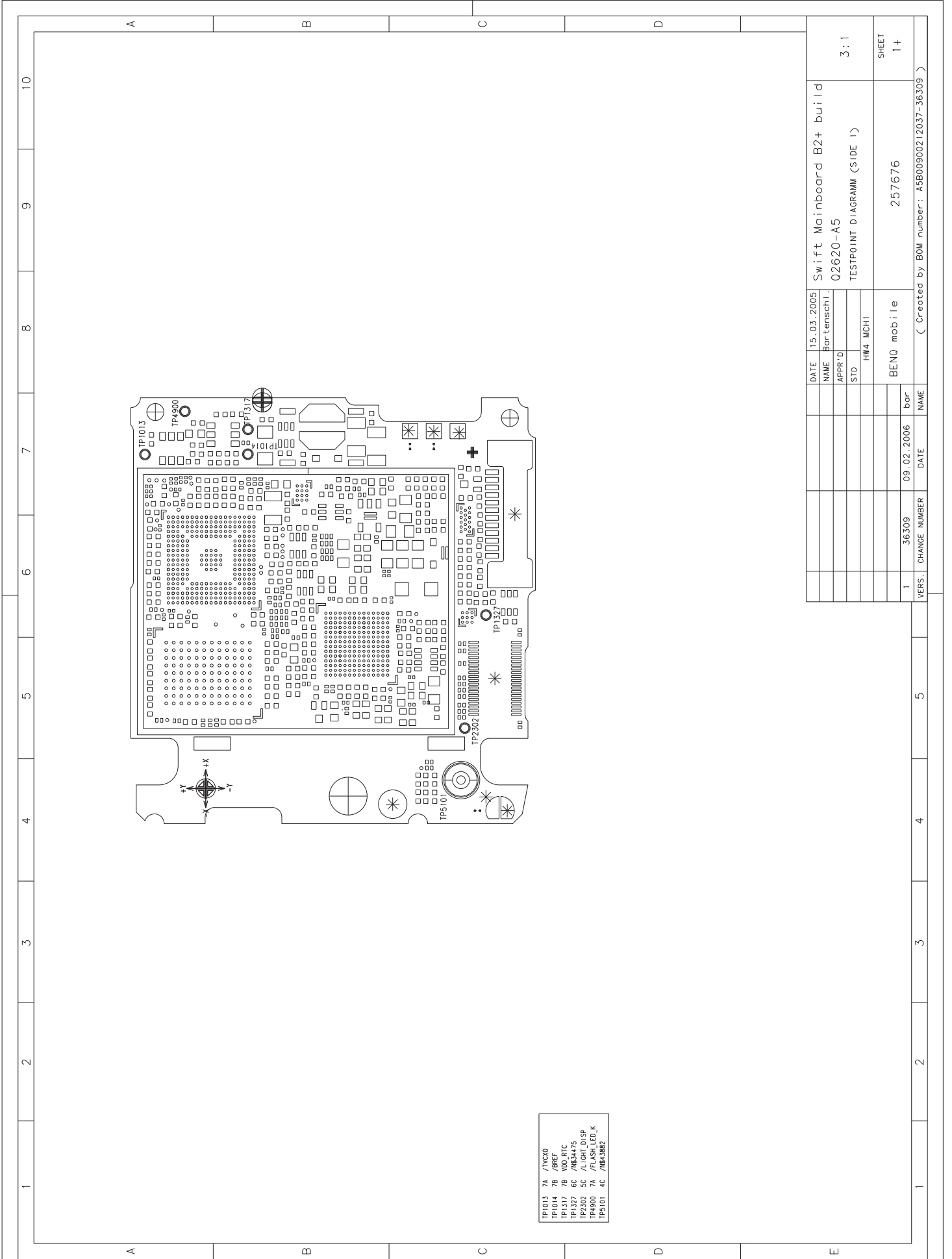
A

B

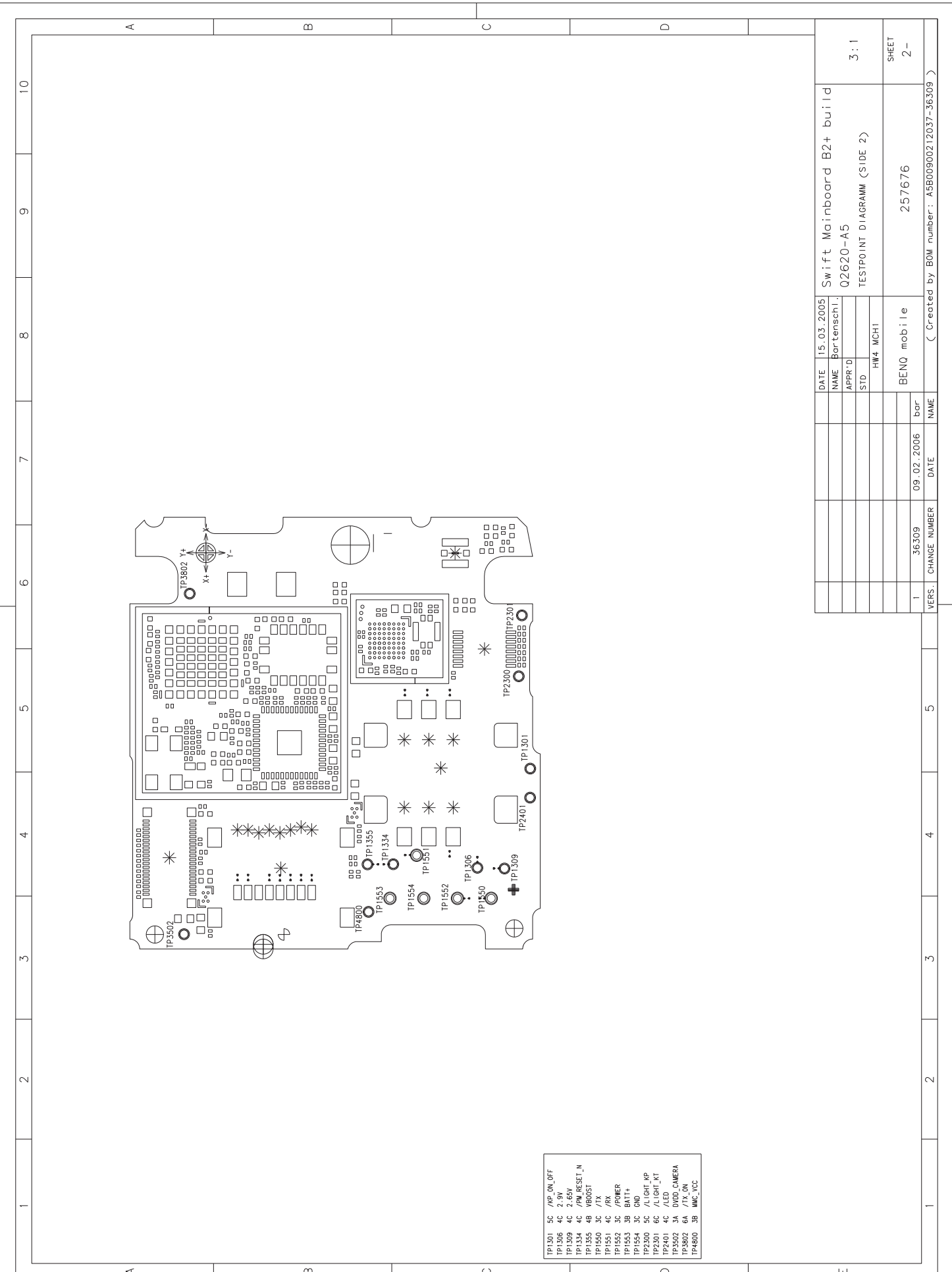
C

D

E



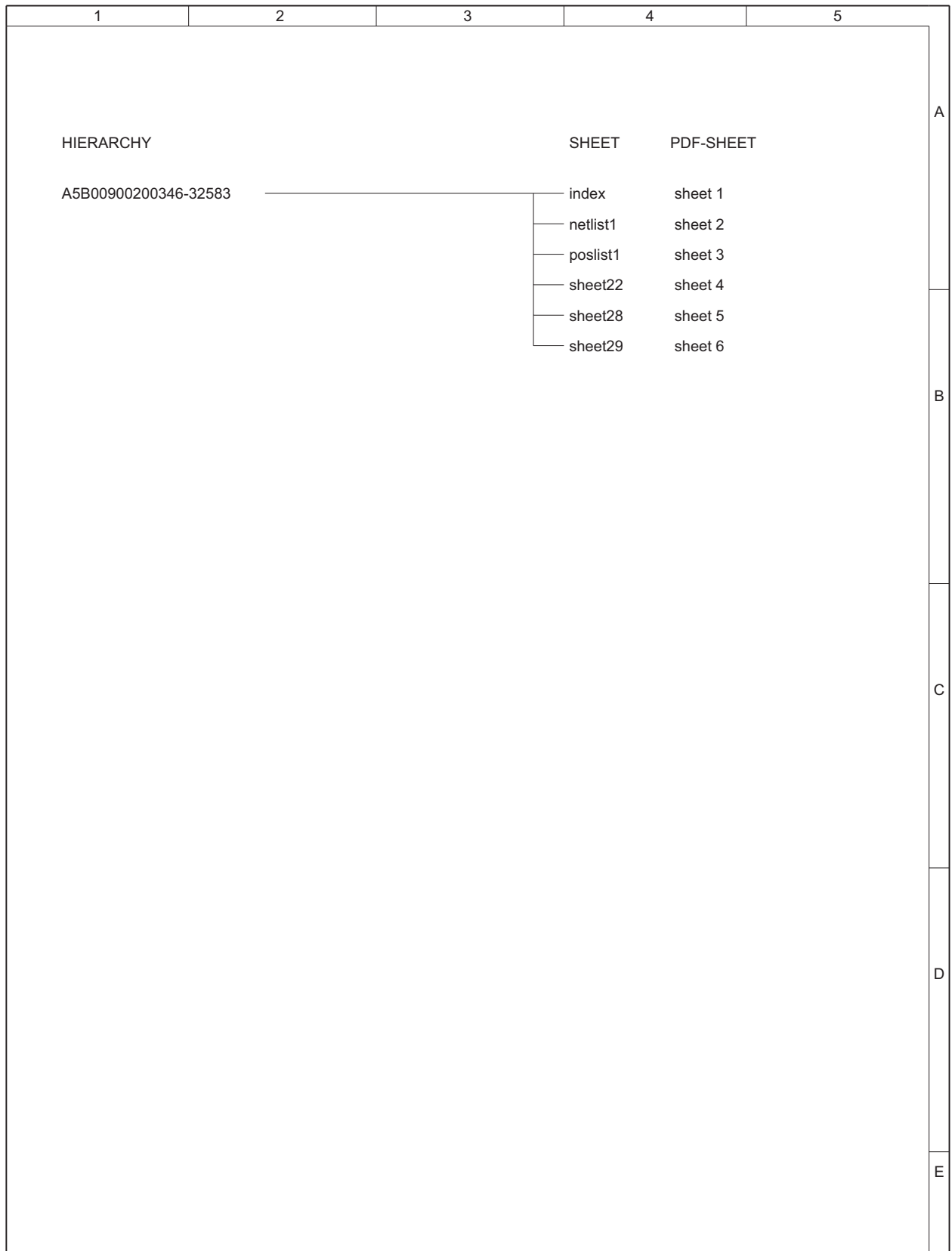
DATE	15.03.2005	Swift Mainboard B2+ build
NAME	Bortenschl.	Q2620-A5
APPR'D		TESTPOINT DIAGRAM (SIDE 1)
STD		3 : 1
	HW4 MCHI	
	BENO mobile	257676
		SHEET 1+
VERS.	1	36309
CHANGE NUMBER		09.02.2006
DATE		bar
NAME		
(Created by BOM number : A5800900212037-36309)		



DATE	15.03.2005	Swift Mainboard B2+ build
NAME	Bortenschl.	Q2620-A5
APPR'D		TESTPOINT DIAGRAM (SIDE 2)
STD		3:1
	HW4 MCHI	
	BENO mobile	257676
	09.02.2006	
VERS.	1	36309
CHANGE NUMBER		
DATE		
NAME		
(Created by BOM number: A5600900212037-36309)		

Proprietary data, company confidential.
All rights reserved

Als Betriebsgeheimnis anvertraut
Alle Rechte vorbehalten



				DATE	14.02.2005	SLIDER MMI SWIFT B2 Q2620-D4 TOP HIERARCHY LEVEL SCHEMATIC	1:1
				USER	Bartenschl.		
				APPR'D			
				HW4 MCH1			
				BENQ mobile		227636	index
1	32583	18.11.2005	bar				
VERS.	CHANGE NUMBER	DATE	NAME	(Created by BOM number: A5B00900200347-32583)			

Proprietary data, company confidential.
All rights reserved

Als Betriebsgeheimnis anvertraut
Alle Rechte vorbehalten

1	2	3	4	5
2.65V	/sheet22 5 B			A
/sheet22 12 D	/sheet29 5 B			
/sheet22 5 B				B
/sheet28 5 D	KP_IN3			
2.9V	/sheet22 5 A			C
/sheet22 12 D	/sheet29 5 C			
/sheet22 11 B				D
DISP_CD	KP_IN4			
/sheet22 12 D	/sheet22 5 A			E
/sheet22 11 B	/sheet29 5 C			
DISP_CS1	KP_IN5_OUT6			
/sheet22 12 D	/sheet22 11 B			
/sheet22 11 B	/sheet29 9 D			
DISP_D0	KP_ON_OFF			
/sheet22 12 D	/sheet22 11 A			
/sheet22 5 C	/sheet29 2 B			
DISP_D1	KP_OUT3			
/sheet22 12 D	/sheet22 11 B			
/sheet22 5 C	/sheet29 8 D			
DISP_D2	LIGHT_DISP			
/sheet22 12 E	/sheet22 12 E			
/sheet22 5 C	/sheet22 5 B			
DISP_D3	LIGHT_KT			
/sheet22 12 E	/sheet22 11 B			
/sheet22 5 B	/sheet28 9 B			
DISP_D4	OPEN_CLOSE_SW1			
/sheet22 12 E	/sheet22 11 C			
/sheet22 5 B	/sheet28 4 E			
DISP_D5	VBOOST			
/sheet22 12 E	/sheet22 5 B			
/sheet22 5 B	/sheet22 12 E			
	/sheet28 9 A			
DISP_D6				
/sheet22 12 E				
/sheet22 5 B				
DISP_D7				
/sheet22 12 E				
/sheet22 5 B				
DISP_RD				
/sheet22 12 E				
/sheet22 11 B				
DISP_RESET1				
/sheet22 12 D				
/sheet22 11 B				
DISP_VD				
/sheet22 12 E				
/sheet22 11 B				
DISP_WR				
/sheet22 12 E				
/sheet22 11 B				
KP_IN0				
/sheet22 5 B				
/sheet29 5 A				
KP_IN1				
/sheet22 5 B				
/sheet29 5 B				
KP_IN2				

				DATE	14.02.2005	SLIDER MMI SWIFT B2 Q2620-D4 TOP HIERARCHY LEVEL SCHEMATIC	1:1
				USER	Bartenschl.		
				APPR'D			
				HW4 MCH1			
				BENQ mobile		227636	netlist1
1	32583	18.11.2005	bar	(Created by BOM number: A5B00900200347-32583)			
VERS.	CHANGE NUMBER	DATE	NAME				

Proprietary data, company confidential.
All rights reserved

Als Betriebsgeheimnis anvertraut
Alle Rechte vorbehalten

1	2	3	4	5
C3251 /sheet28	6 D			A
C3256 /sheet28	5 E			
R2800 /sheet28	9 A			
R3252 /sheet28	5 D			
R3253 /sheet28	5 D			
R3254 /sheet28	5 E			
S3251 /sheet28	5 E			
TP2802 /sheet28	9 B			
TP2801 /sheet28	9 A			
TP3201 /sheet28	5 D			
TP3202 /sheet28	4 E			
TP3203 /sheet28	6 D			
TP2906 /sheet29	8 D			
TP2907 /sheet29	9 D			
TP2901 /sheet29	7 A			
TP2902 /sheet29	7 B			
TP2903 /sheet29	7 B			
TP2904 /sheet29	7 C			
TP2905 /sheet29	7 C			
TP2900 /sheet29	2 B			
V2820 /sheet28	10 A			
V2821 /sheet28	10 B			
V2822 /sheet28	10 B			
V2823 /sheet28	10 B			
X2200 /sheet22	8 C			
X2220 /sheet22	9 E			

A

B

C

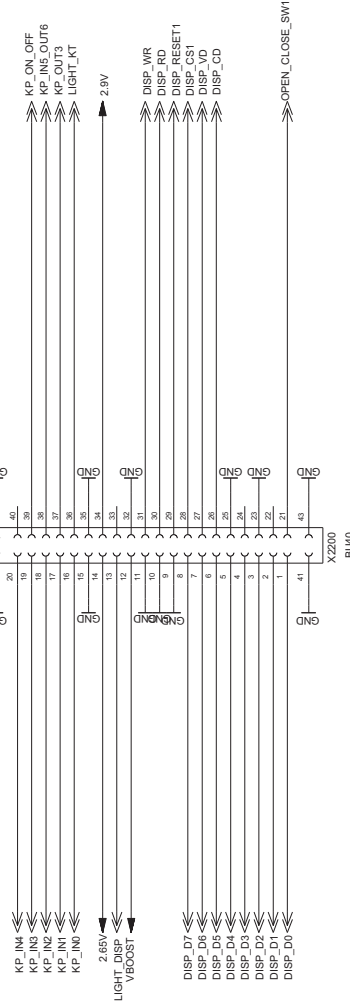
D

E

				DATE	14.02.2005	SLIDER MMI SWIFT B2 Q2620-D4 TOP HIERARCHY LEVEL SCHEMATIC	1:1
				USER	Bartenschl.		
				APPR'D			
					HW4 MCH1		
					BENQ mobile	227636	poslist1
1	32583	18.11.2005	bar				
VERS.	CHANGE NUMBER	DATE	NAME	(Created by BOM number: A5B00900200347-32583)			

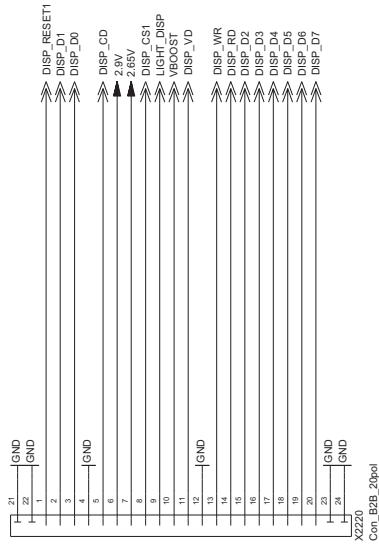
(DISPLAY/SLIDER_CONNECTOR) - B2B CONNECTOR

2200-2299



B2B CONNECTOR

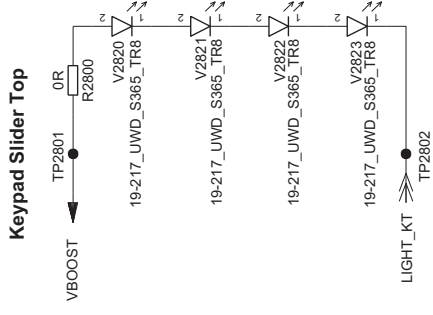
DISPLAY_CONNECTOR / SHORT FPC



DATE		14.02.2005	
USER	Barmenohl		
APPNO			
HW4 MCHT			
BENQ mobile			
VPIS	CHANGE NUMBER	DATE	NAME
1	32403	18.11.2005	lbr
SLIDER MMI SWIFT B2		227636	
02620-D4		TOP HIERARCHY LEVEL	
SCHEMATIC		SCHEMATIC	

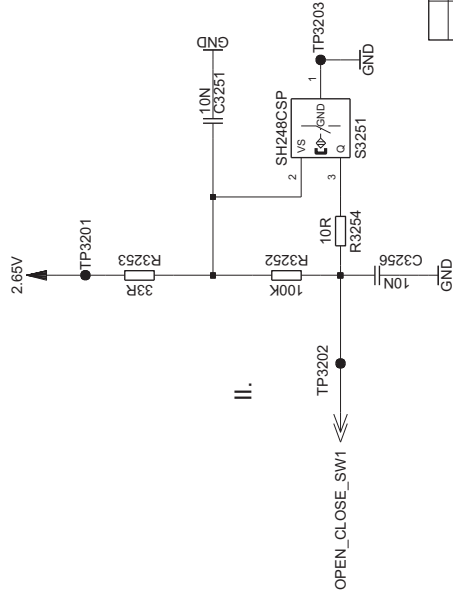
KEYPAD_BACKLIGHT

2800-2899



OPEN_CLOSE_DETECTION

3200-3299



Alle Betriebsgeheimnisse anvertraut
Als Betriebsgeheimnis vorbehalten

Proprietary data, company confidential.
All rights reserved

DATE	14.02.2005	USER	Barfenschil.
APPRD			
HWG1 MCH1			
BENQ mobile			
VERS.	1	CHANGE NUMBER	32583
		DATE	18.11.2005
		NAME	dar
SLIDER MMI SWIFT B2			
Q2620-D4			
TOP HIERARCHY LEVEL			
SCHEMATIC			
227636			
sheet28			

1:1

(Created by BOM number: A5B0090020347-32583)

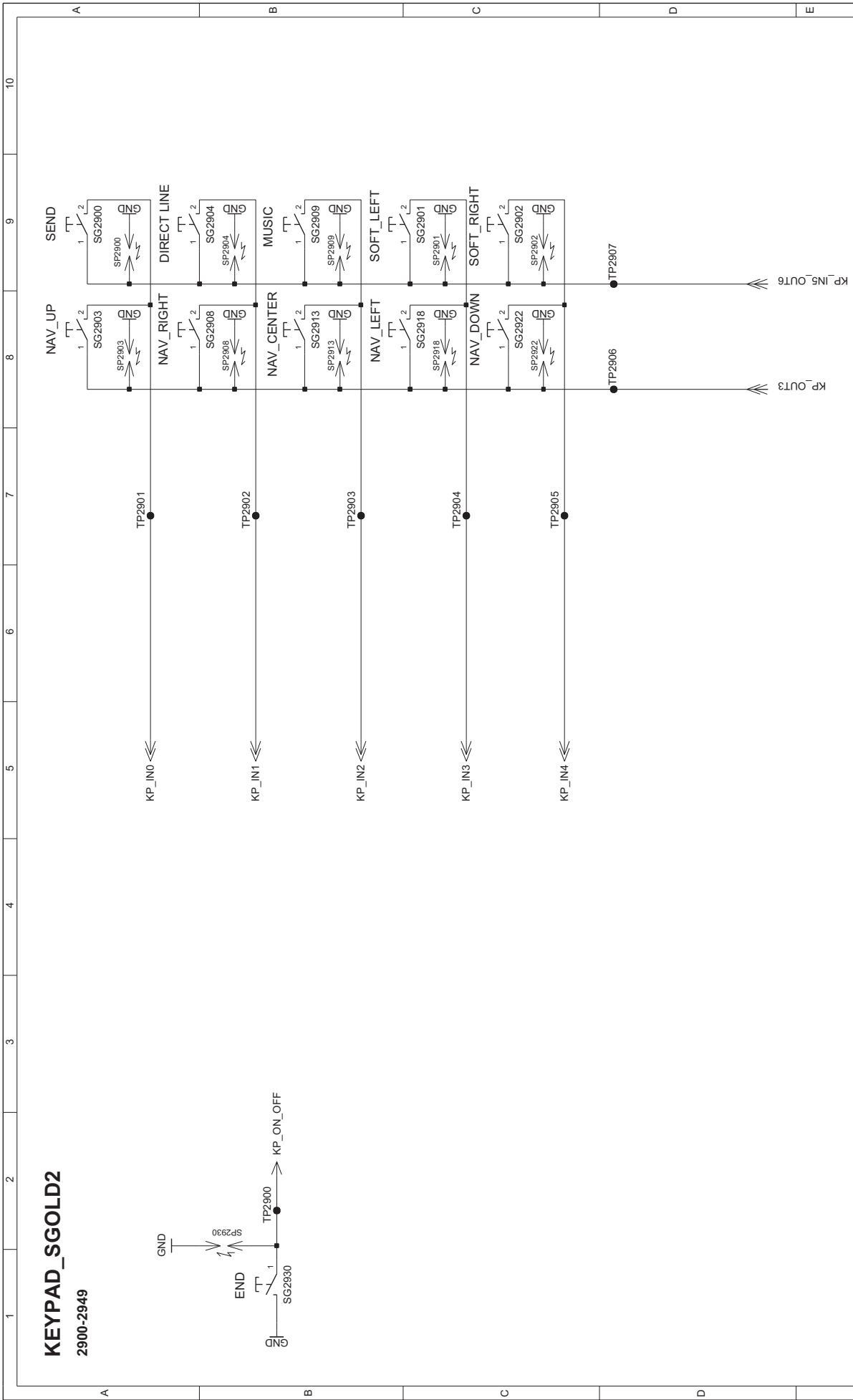
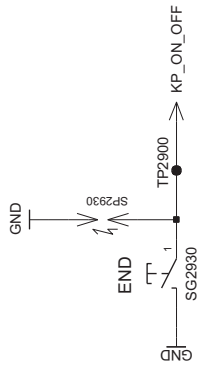
1 2 3 4 5 6 7 8 9 10

A B C D E

A B C D E

KEYPAD_SGOLD2

2900-2949



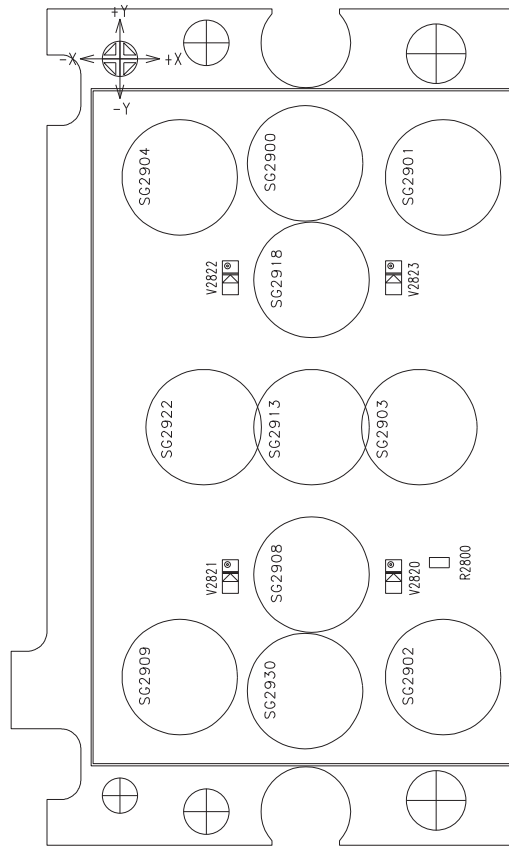
Proprietary data, company confidential.
Alle Rechte vorbehalten

Als Betriebsgeheimnis anvertraut

DATE	14.02.2005	USER	Bartenschil.
APPRD			
HIVG MCHT			
VERS.	1	CHANGE NUMBER	32583
		DATE	18.11.2005
		NAME	BENQ mobile
SLIDER MMI SWIFT B2		227636	
Q2620-D4		1:1	
TOP HIERARCHY LEVEL		sheet29	
SCHEMATIC		(Created by BOM number: A5B0090020347-32583)	

PROPRIETARY DATA, COMPANY CONFIDENTIAL
ALL RIGHTS RESERVED

ALS BETRIEBSGEHEIMNIS ANVERTRAUT
ALLE RECHTE VORBEHALTEN



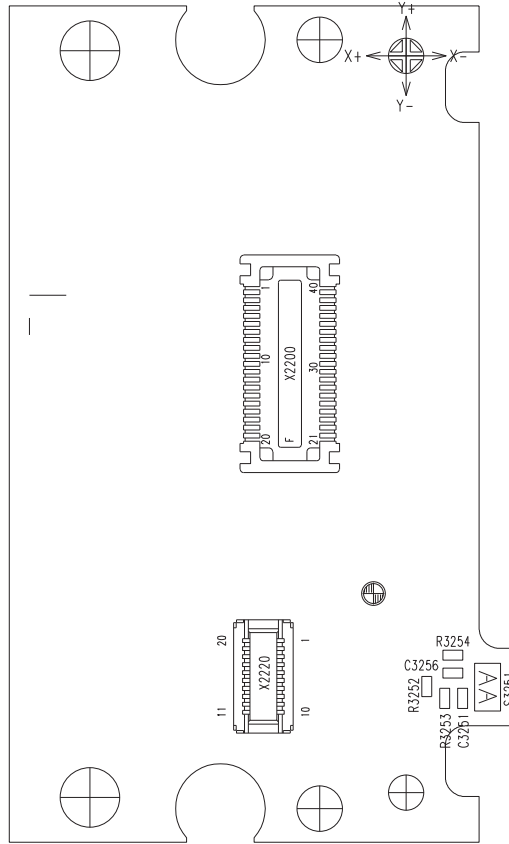
R2800	3B
V2820	3B
V2821	2B
V2822	2B
V2823	3B

Achtung : Hoehenprofil C24 _ _ _ _ _ -42 (gilt nur fuer Entwicklung)
Liefervarianten siehe : V24851-Z2000-A1-* -35

				DATE	14.02.2005	SLIDER MMI SWIFT B2 Q2620-D4 WIRING DIAGRAM (SOLDER SIDE 1)	3 : 1
				NAME	Bartenschl.		
				APPR'D			
				STD			
				HW4 MCH1		227637	SHEET 1+
				BENQ mobile			
1	32583	18.11.2005	bar				
VERS.	CHANGE NUMBER	DATE	NAME	(Created by BOM number: A5B00900200347-32583)			

PROPRIETARY DATA, COMPANY CONFIDENTIAL
ALL RIGHTS RESERVED

ALS BETRIEBSGEHEIMNIS ANVERTRAUT
ALLE RECHTE VORBEHALTEN



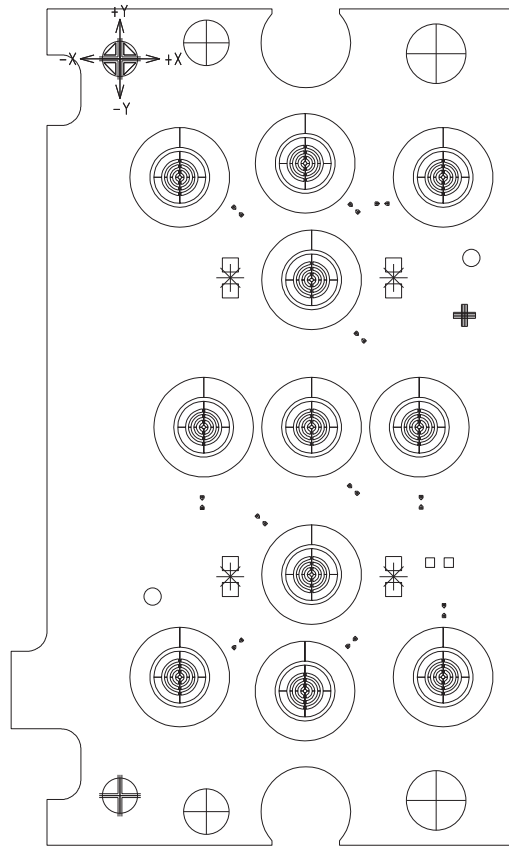
C3251	4C
C3256	4C
R3252	4C
R3253	4C
R3254	4C
S3251	4C
X2200	3B
X2220	3C

Achtung : Hoehenprofil C24___-___-___-42 (gilt nur fuer Entwicklung)
Liefervarianten siehe : V24851-Z2000-A1-*35

				DATE	14.02.2005	SLIDER MMI SWIFT B2 Q2620-D4 WIRING DIAGRAM (SOLDER SIDE 2)	3:1
				NAME	Bartenschl.		
				APPR'D			
				STD			
				HW4 MCH1			
				BENQ mobile		227637	SHEET 2+
1	32583	18.11.2005	bar				
VERS.	CHANGE NUMBER	DATE	NAME	(< Created by BOM number: A5B00900200347-32583 >)			

PROPRIETARY DATA, COMPANY CONFIDENTIAL
ALL RIGHTS RESERVED

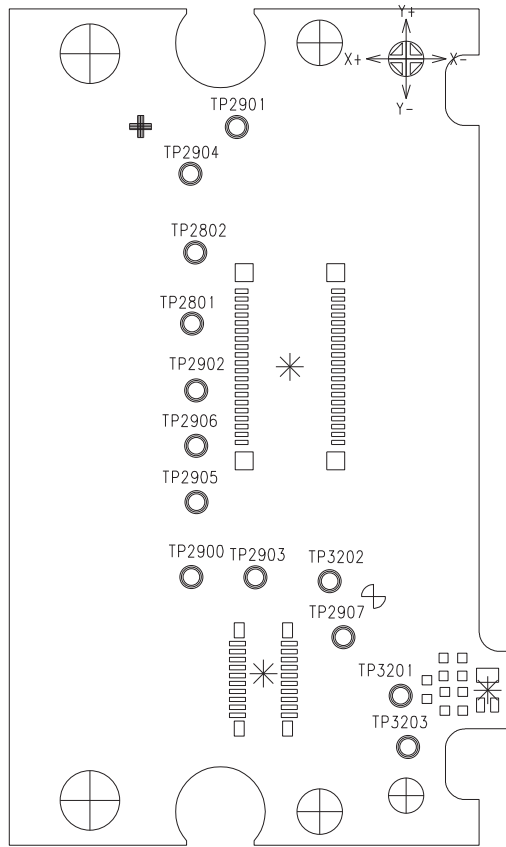
ALS BETRIEBSGEHEIMNIS ANVERTRAUT
ALLE RECHTE VORBEHALTEN



				DATE	14.02.2005	SLIDER MMI SWIFT B2 Q2620-D4 TESTPOINT DIAGRAM (SIDE 1)	3:1
				NAME	Bartenschl.		
				APPR'D			
				STD			
				HW4 MCH1			
				BENQ mobile		227638	SHEET 1+
1	32583	18.11.2005	bar				
VERS.	CHANGE NUMBER	DATE	NAME	(< Created by BOM number: A5B00900200347-32583 >)			

PROPRIETARY DATA, COMPANY CONFIDENTIAL
ALL RIGHTS RESERVED

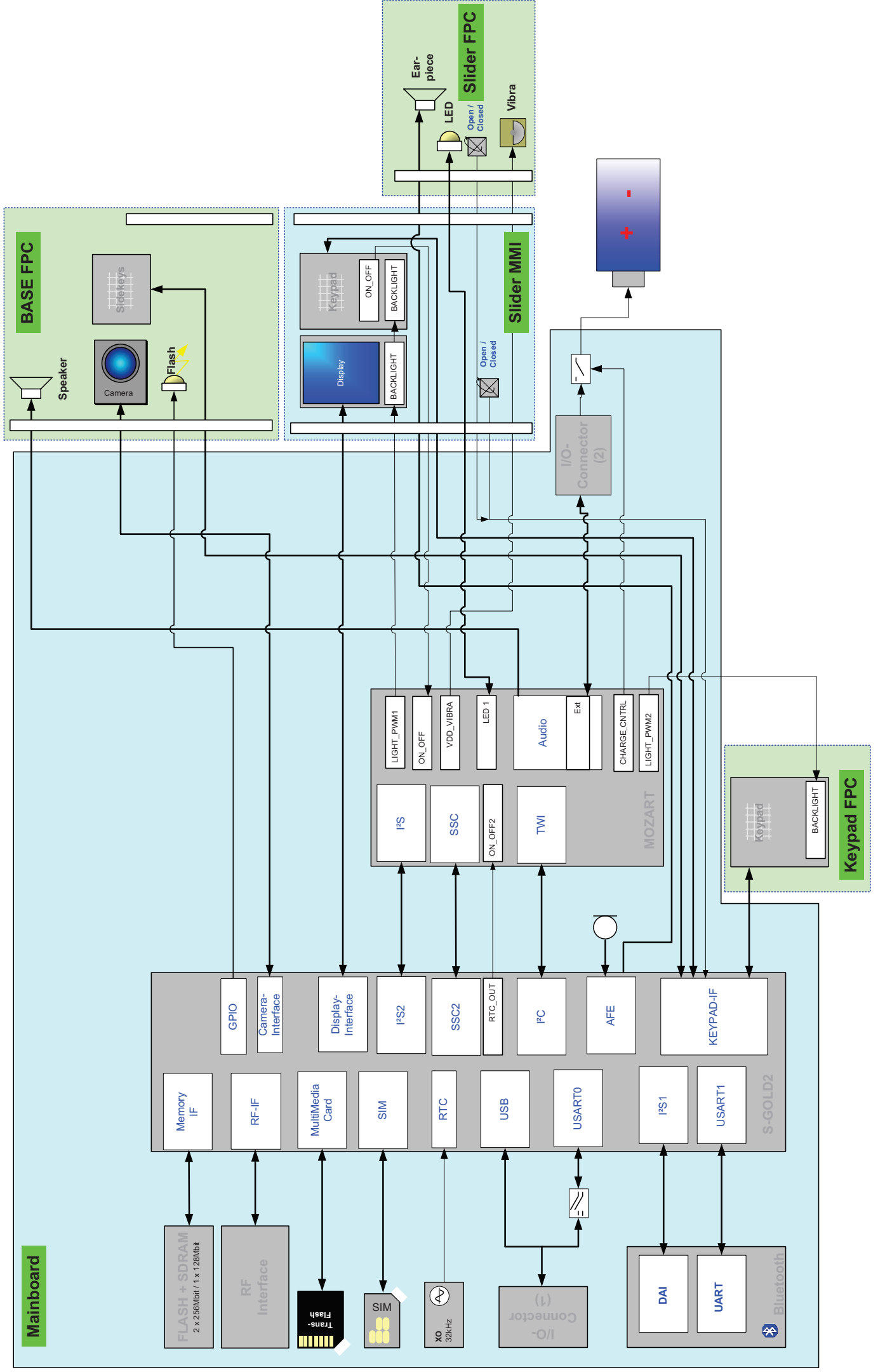
ALS BETRIEBSGEHEIMNIS ANVERTRAUT
ALLE RECHTE VORBEHALTEN



TP2801	3B	VB00ST
TP2802	3B	/LIGHT_KT
TP2900	3B	/KP_ON_OFF
TP2901	3A	/KP_IN0
TP2902	3B	/KP_IN1
TP2903	3B	/KP_IN2
TP2904	3A	/KP_IN3
TP2905	3B	/KP_IN4
TP2906	3B	/KP_OUT3
TP2907	3C	/KP_IN5_OUT6
TP3201	4C	2.65V
TP3202	3B	/OPEN_CLOSE_SW1
TP3203	4C	GND

				DATE	14.02.2005	SLIDER MMI SWIFT B2 Q2620-D4 TESTPOINT DIAGRAM (SIDE 2)	3:1
				NAME	Bartenschl.		
				APPR'D			
				STD			
				HW4 MCH1			
				BENQ mobile			SHEET
1	32583	18.11.2005	bar	227638			2-
VERS.	CHANGE NUMBER	DATE	NAME	(Created by BOM number: A5B00900200347-32583)			

Block diagram EL71



EL71 RF Diagram

