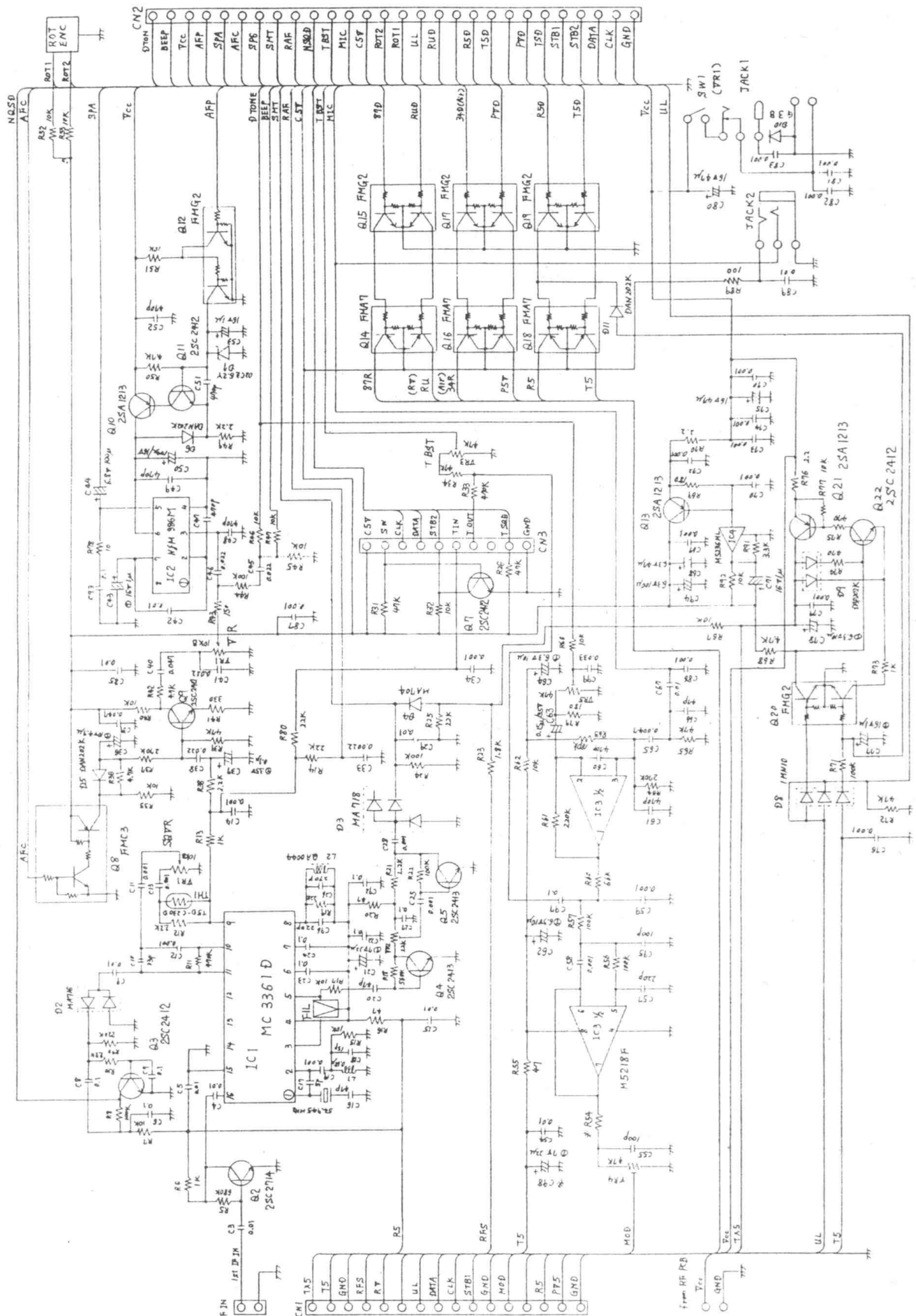
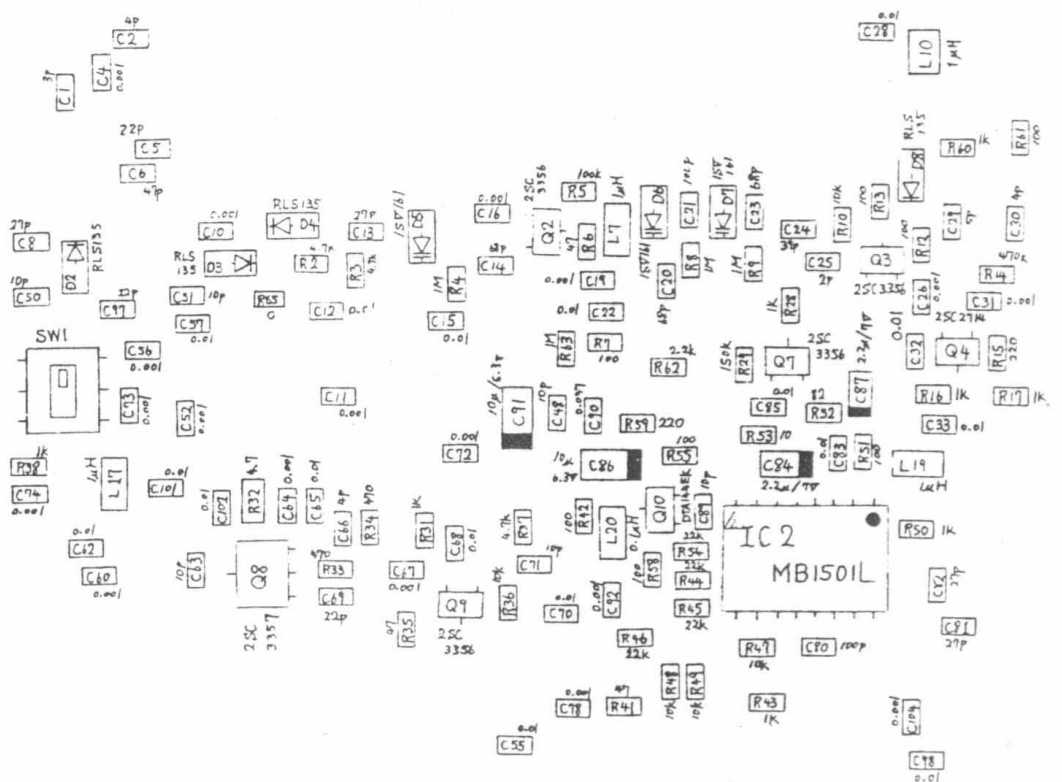
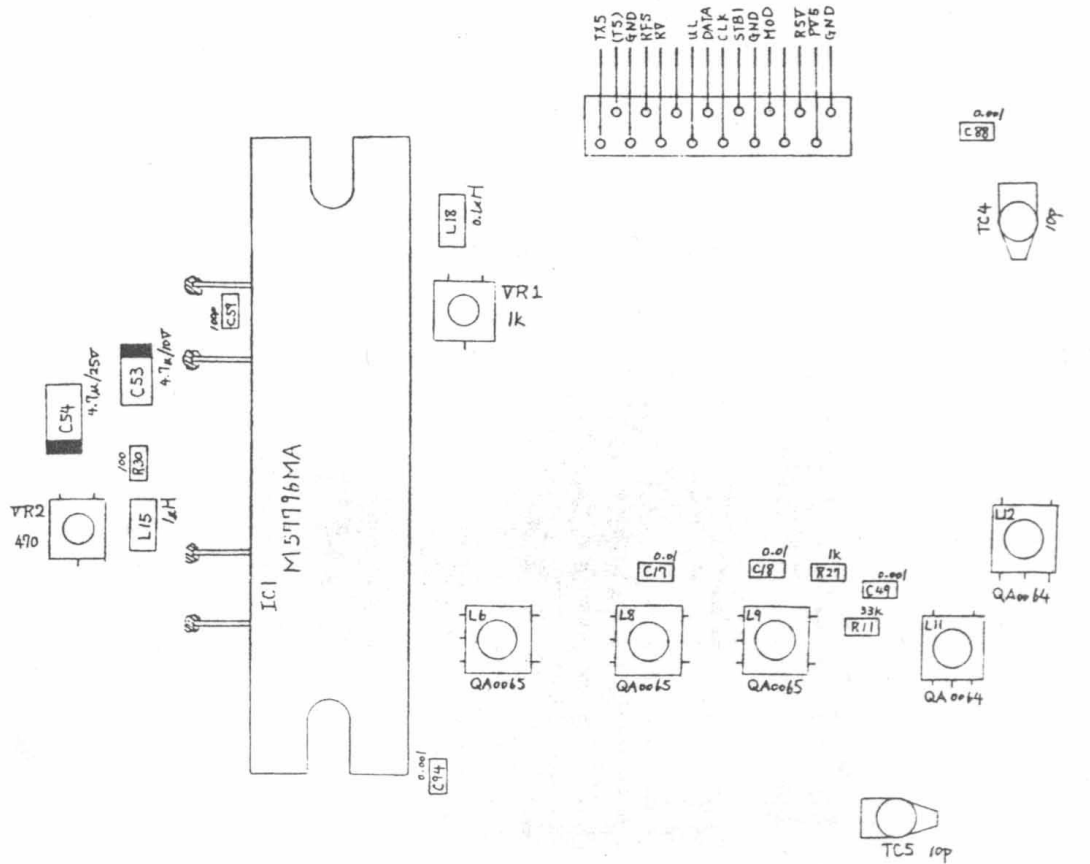
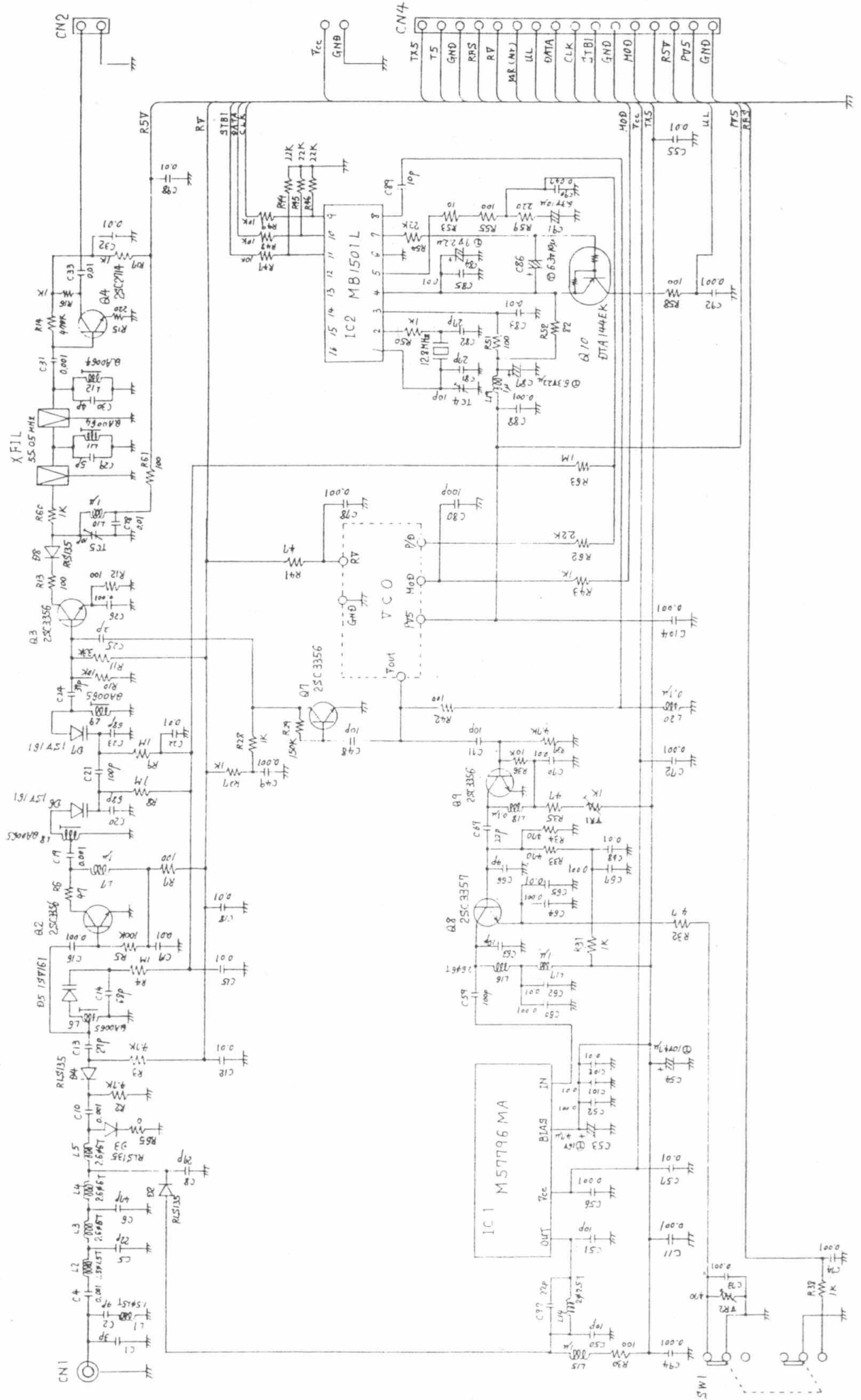


SCHEMATIC DIAGRAM OF IF UNIT (DJ-160T/E) (DJ-460T/E)

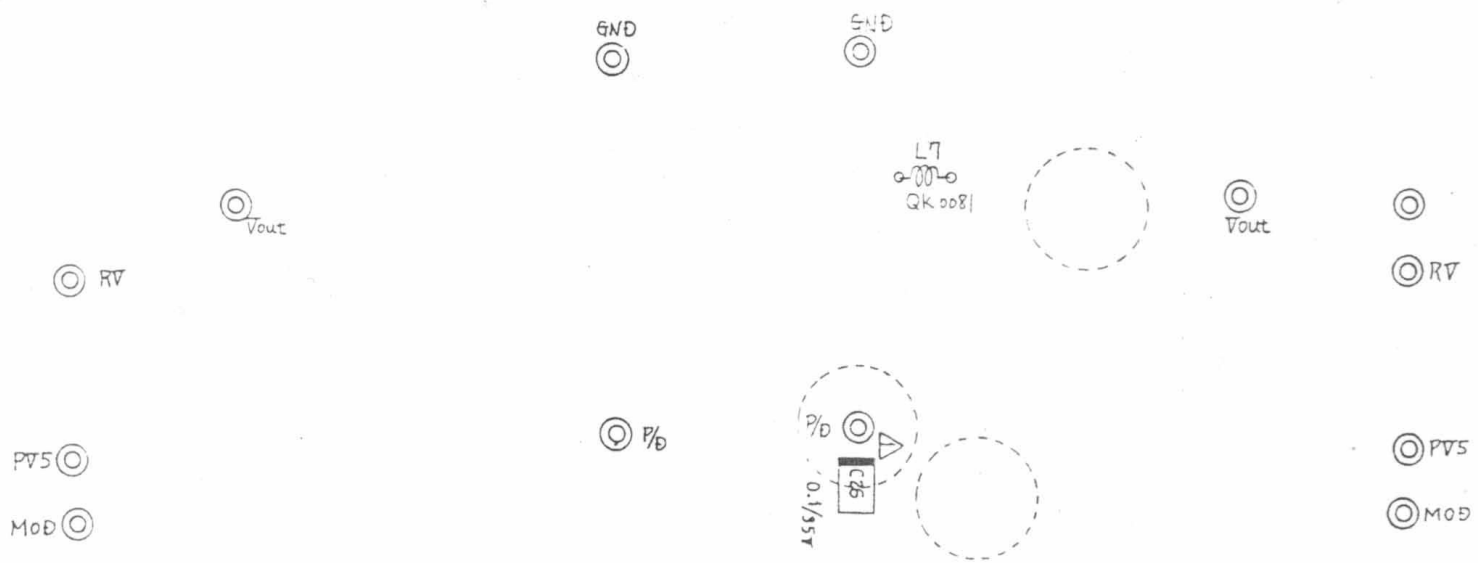
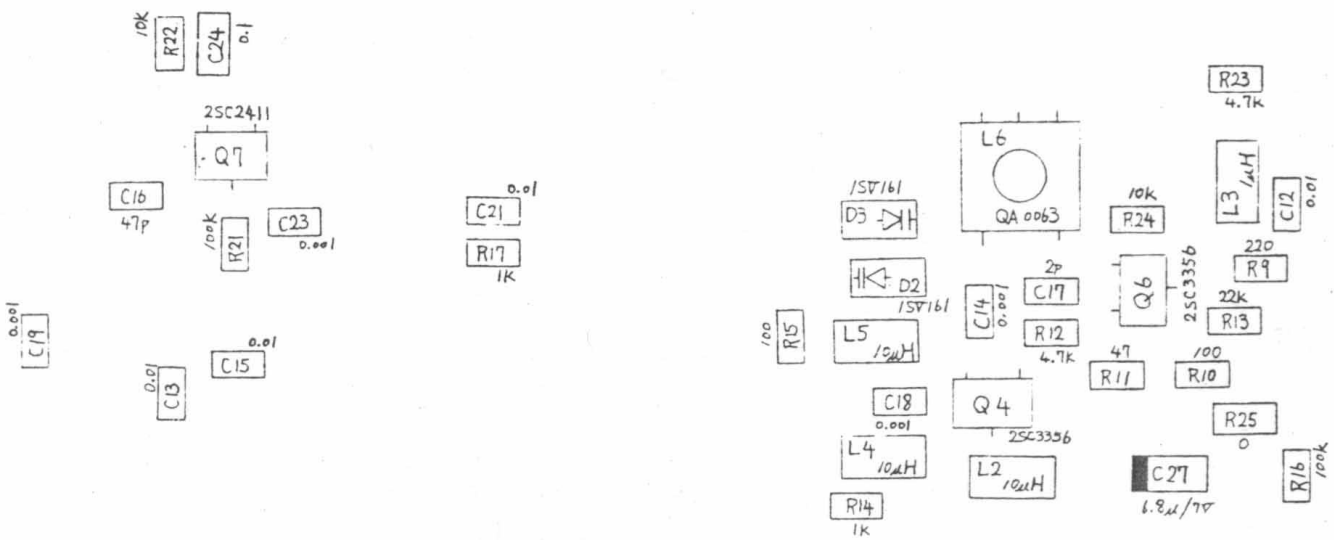




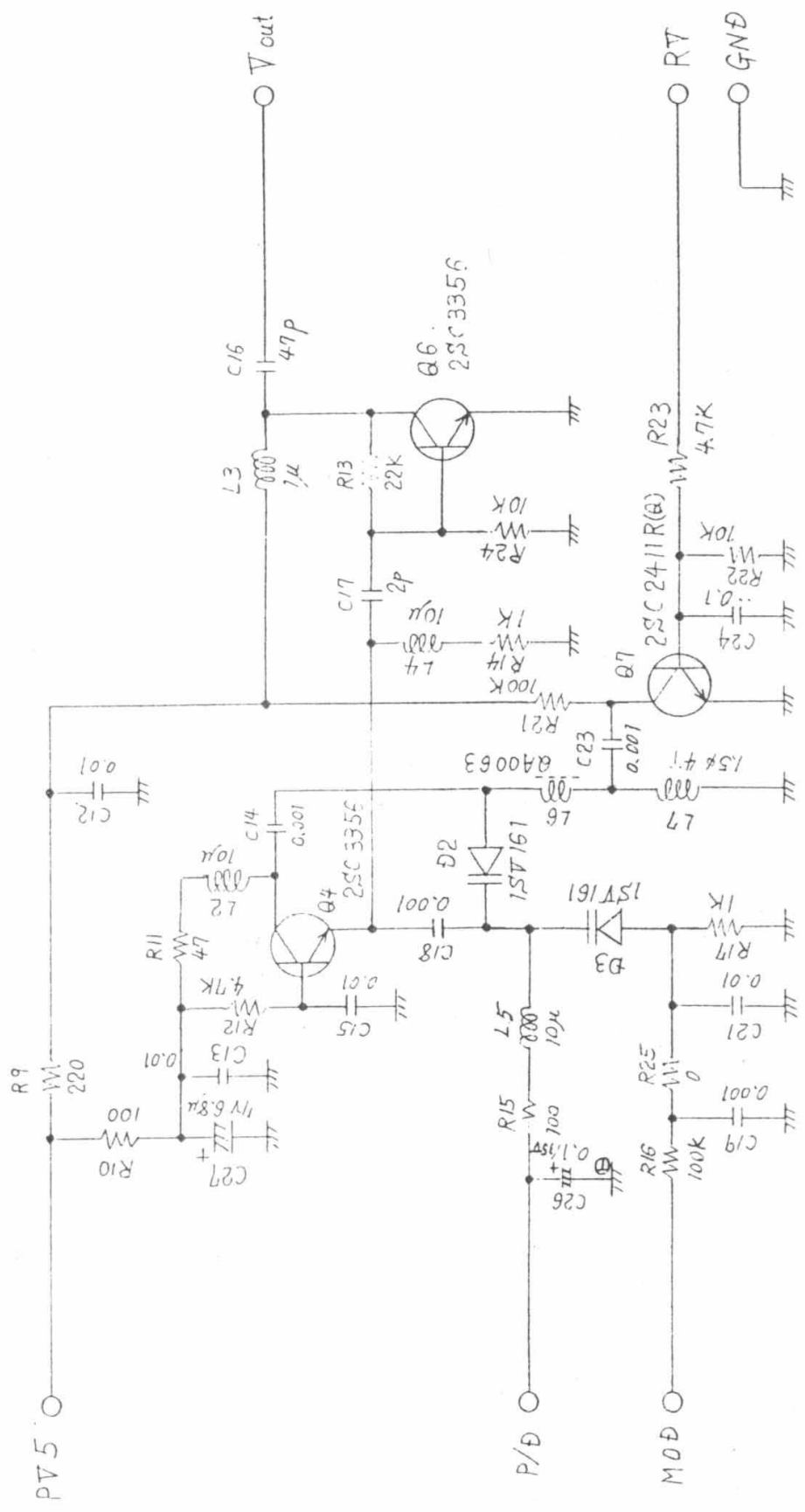
SCHEMATIC DIAGRAM OF RF UNIT (DJ-160T/E)



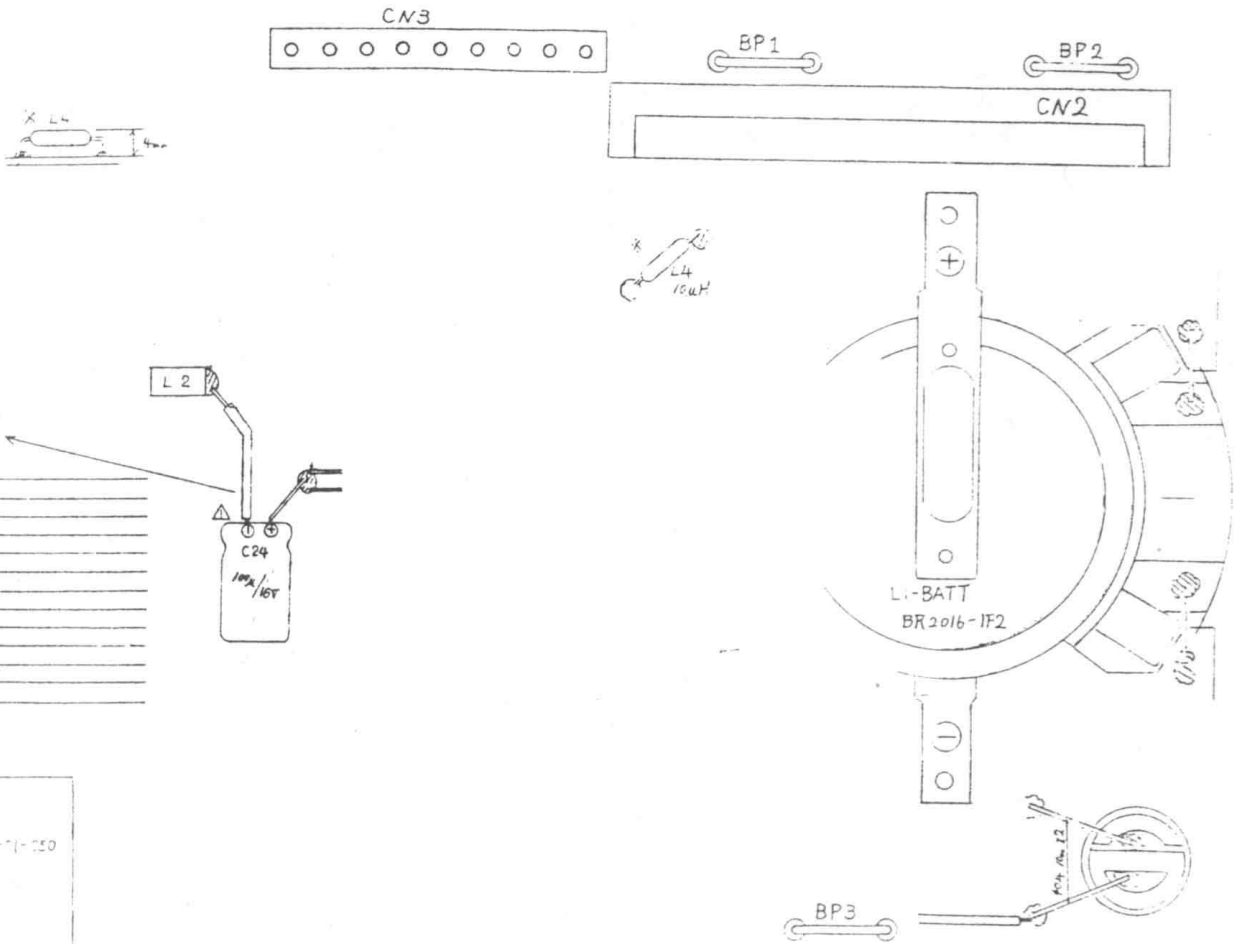
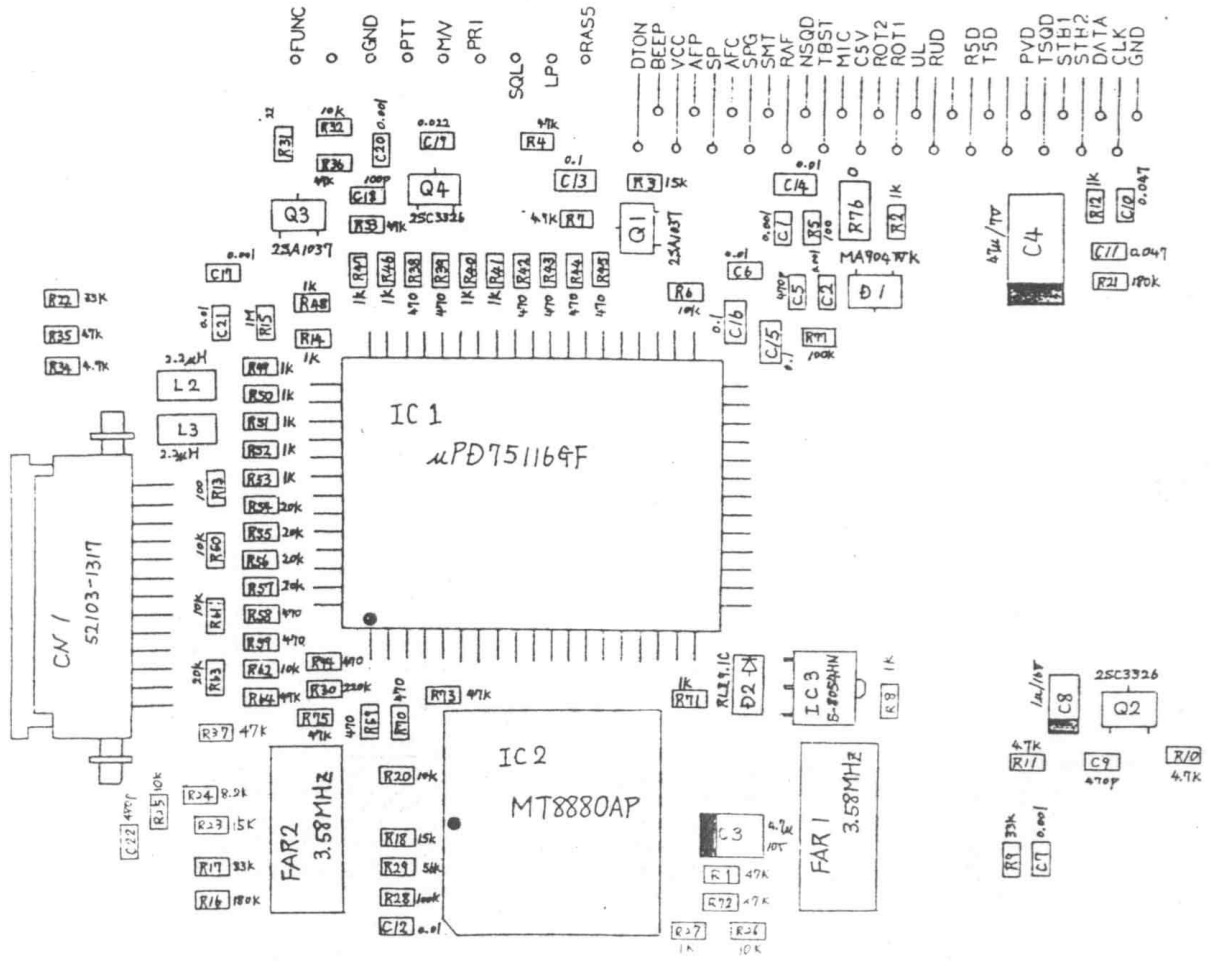
VCO PC BOARDS (DJ-160T/E)



SCHEMATIC DIAGRAM OF VCO UNIT (DJ-160T/E)



CPU PC BOARDS (DJ-160T/E) (DJ-460T/E)



SCHEMATIC DIAGRAM OF CPU UNIT (DJ-160T/E) (DJ-460T/E)

