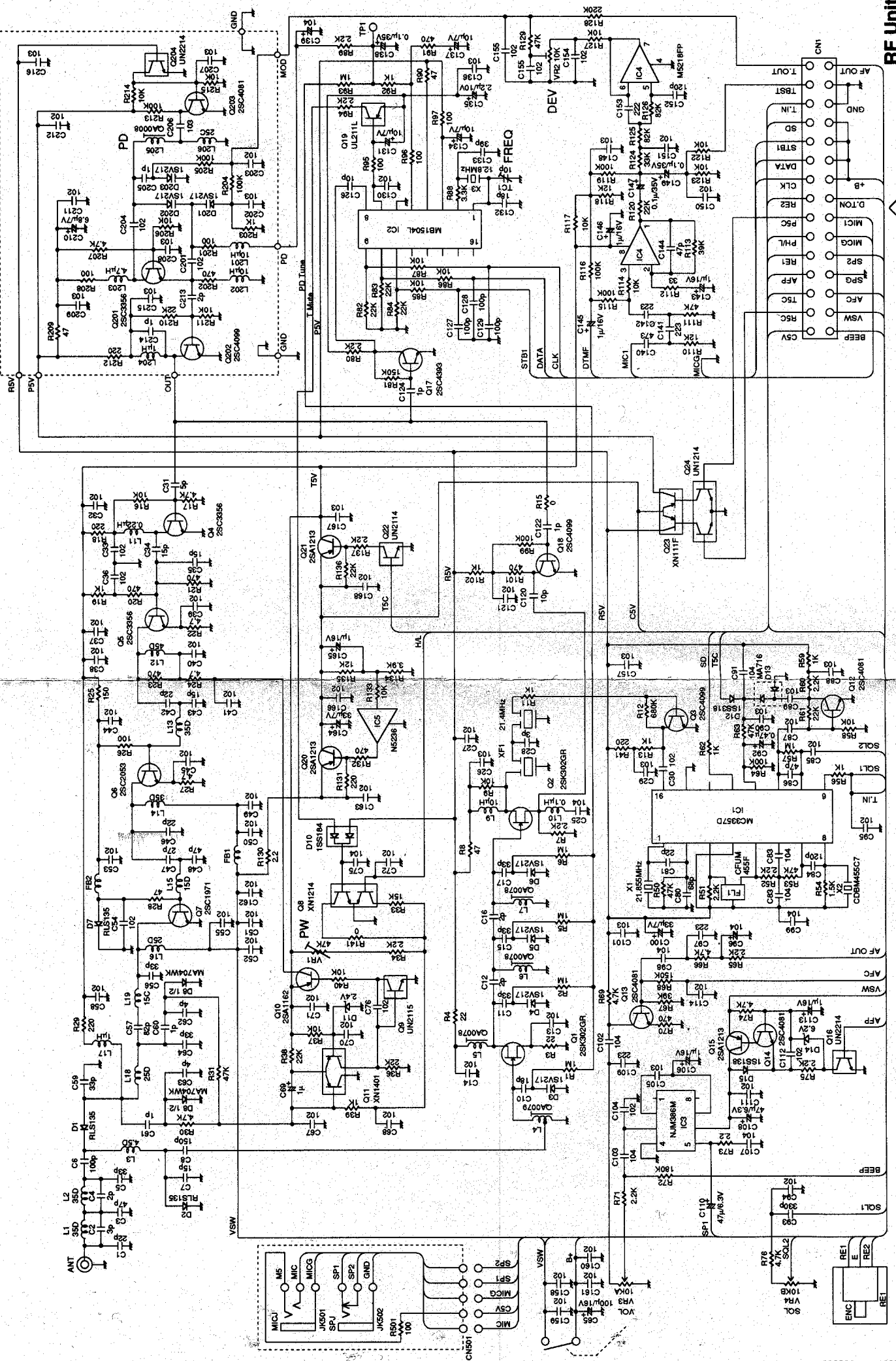
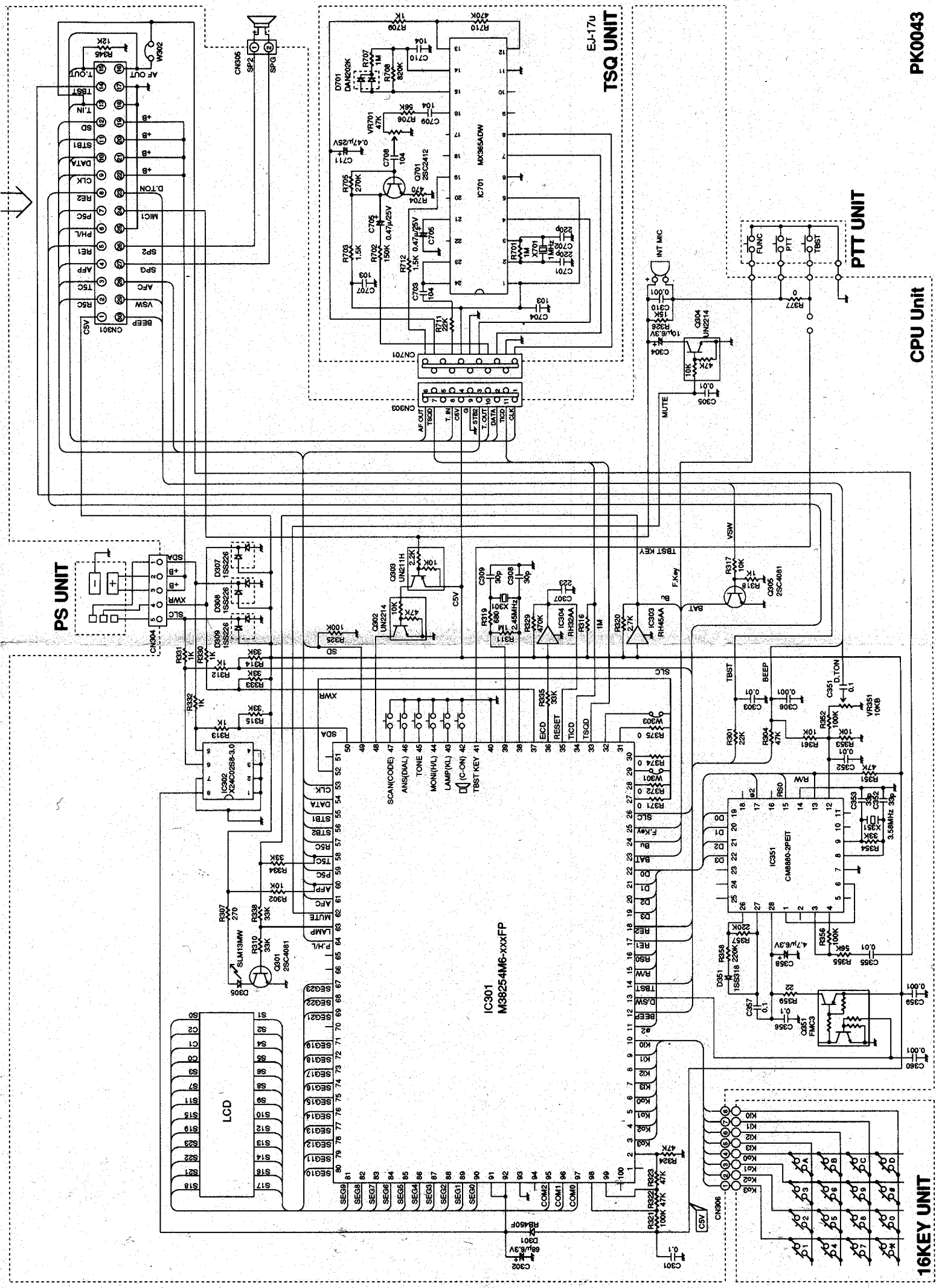


SCHEMATIC DIAGRAM DJ-182C1/C2

Specifications are subject to change without notice or obligation.





TSQ UNIT
EJ-17U

PTT UNIT

CPU Unit

PS UNIT

IC301
M38254M6-xxxxFP

LCD

16KEY UNIT