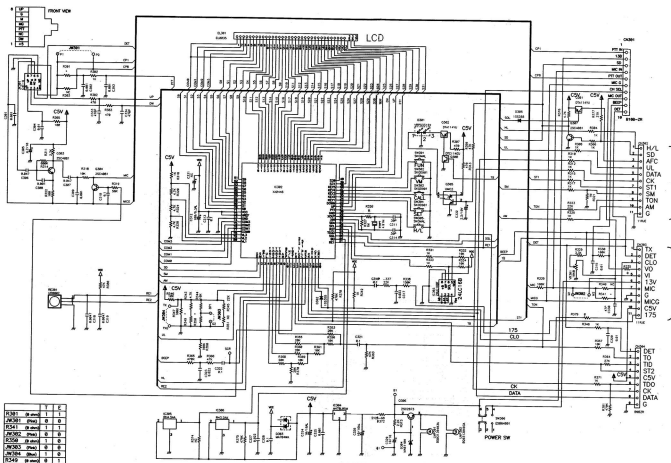


SCHEMATIC DIAGRAM DR-140

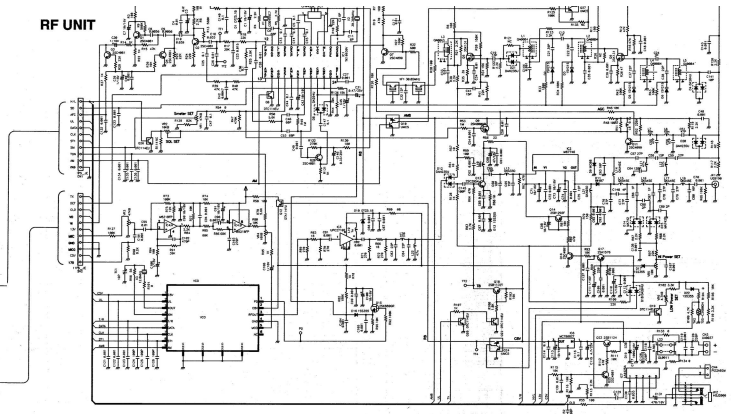
<T,E Version >

CPU UNIT



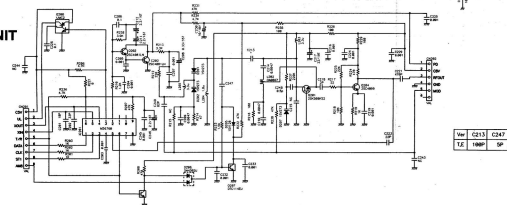
DR140	DR140	DR140	DR140	DR140
DR140	DR140	DR140	DR140	DR140
DR140	DR140	DR140	DR140	DR140
DR140	DR140	DR140	DR140	DR140
DR140	DR140	DR140	DR140	DR140

RF UNIT



L23	R133	R134
DR1487	○	○
DR1482	○	-

VCO UNIT



SW	Q13	Q14
TX	100	100

Specifications are subject to change without notice or obligation.