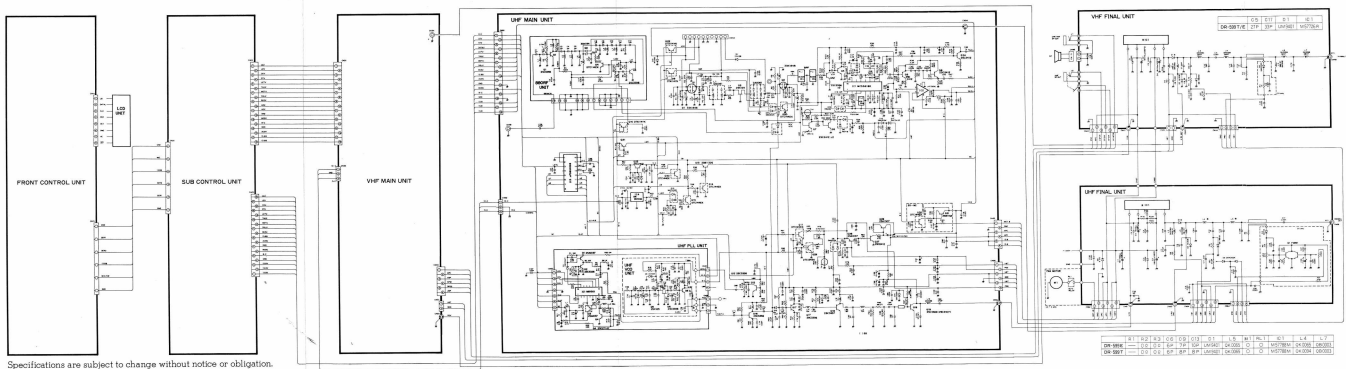


scan & edit UNTOET



Specifications are subject to change without notice or obligation.

scan & edit  
 UN7GET  
 SCHEMATIC  
 DIAGRAM  
 DR-599T/E