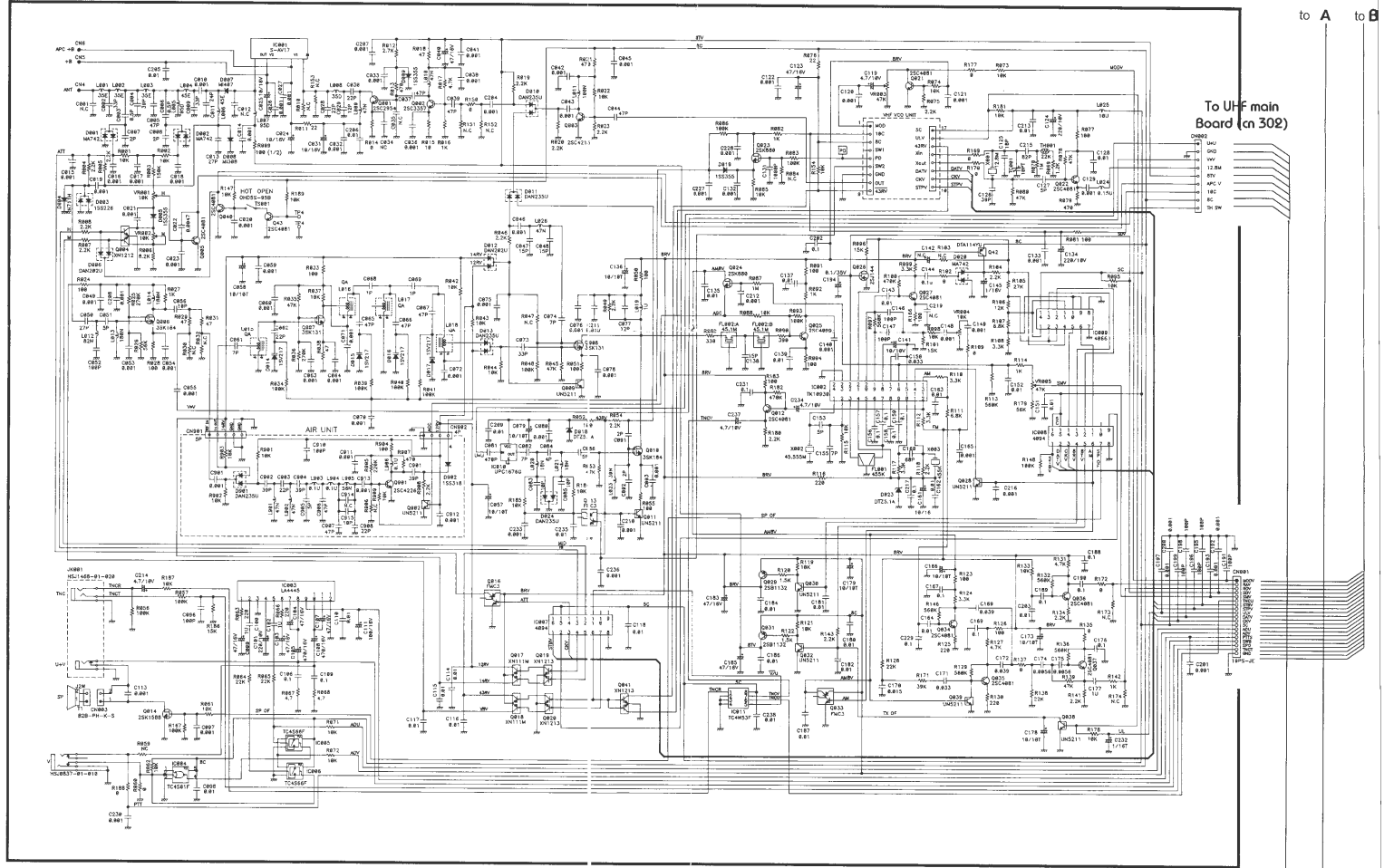
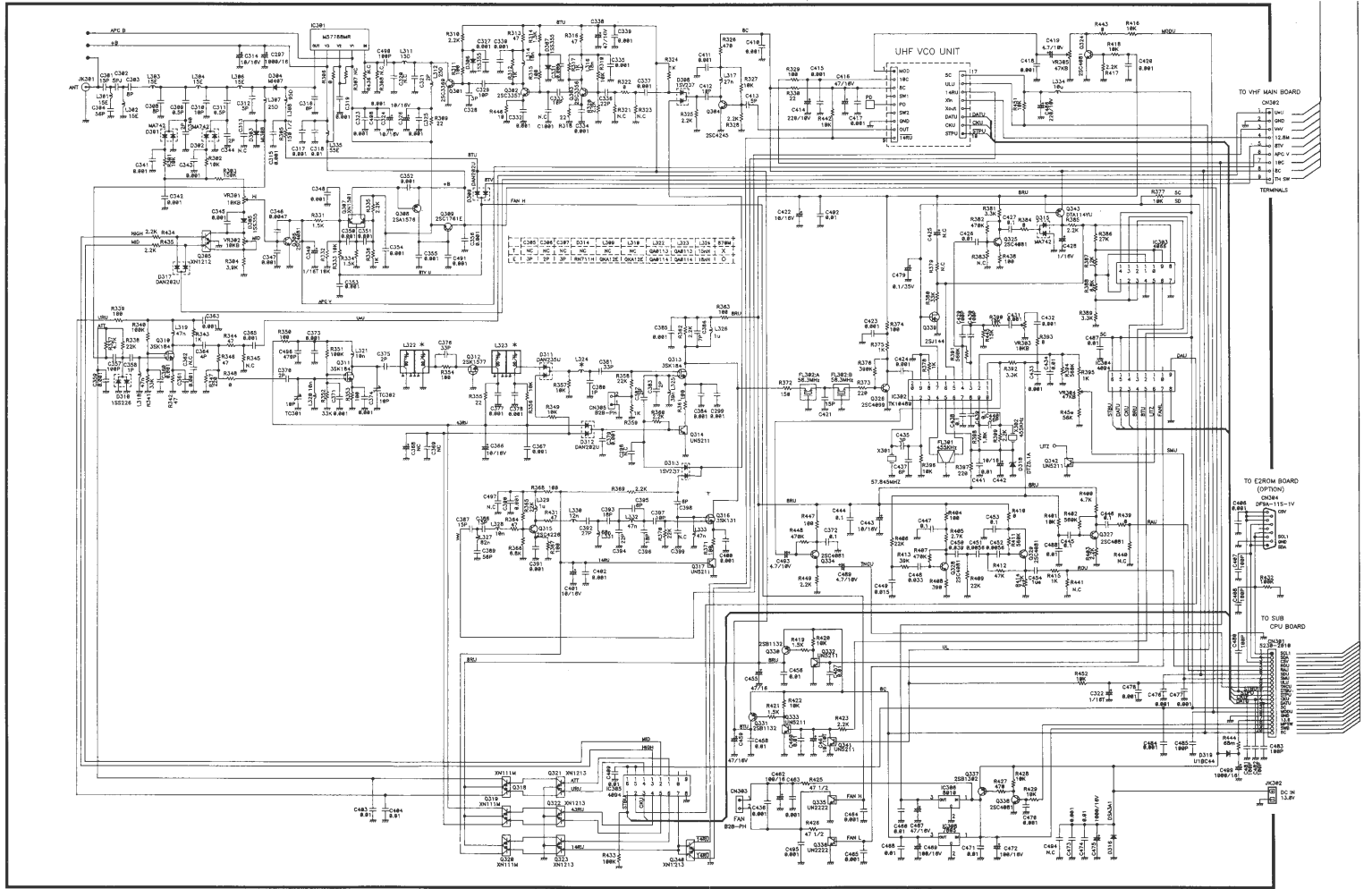


SCHEMATIC DIAGRAM DR-610T/E

VHF MAIN UNIT

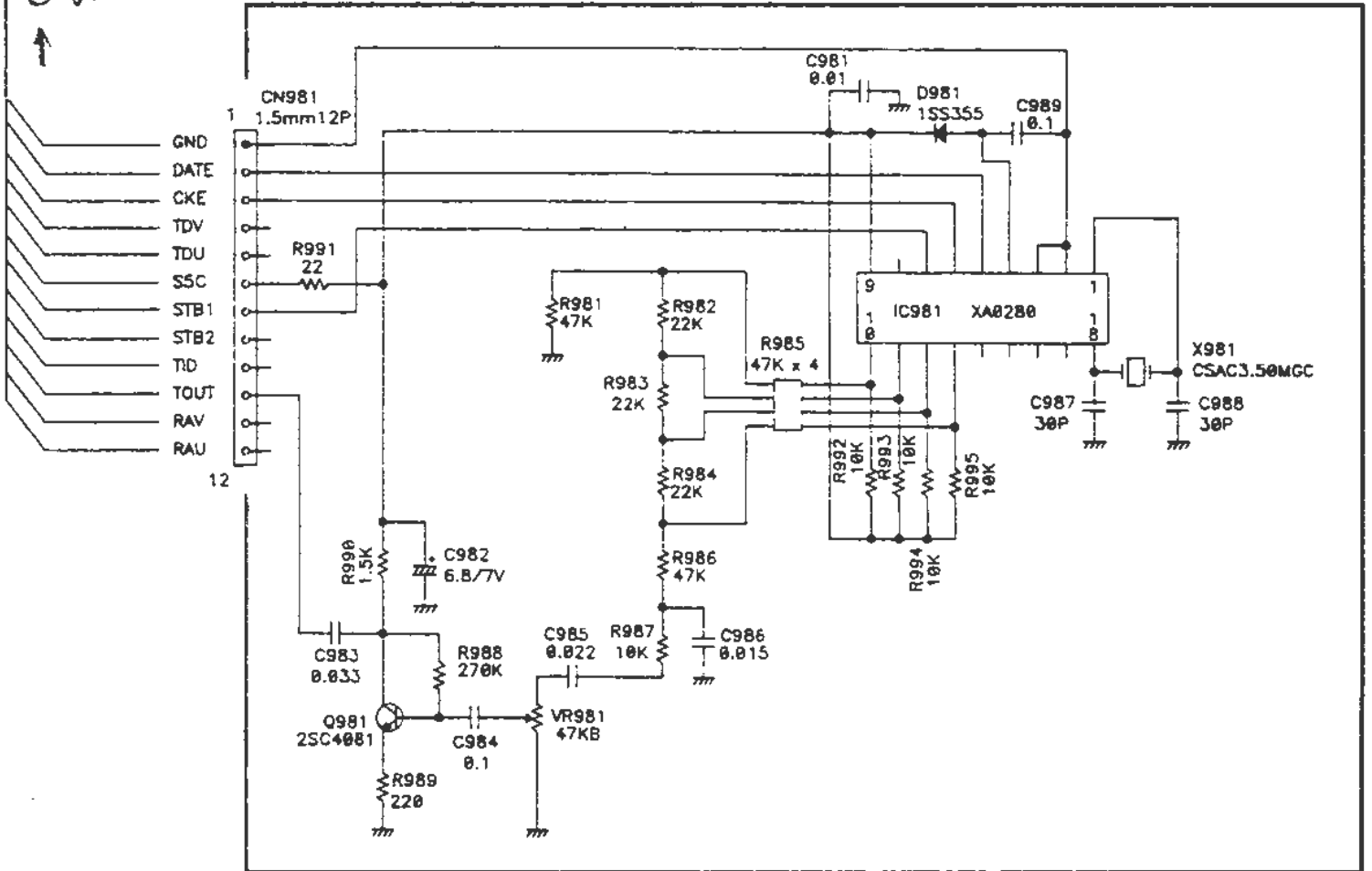


UHF MAIN UNIT

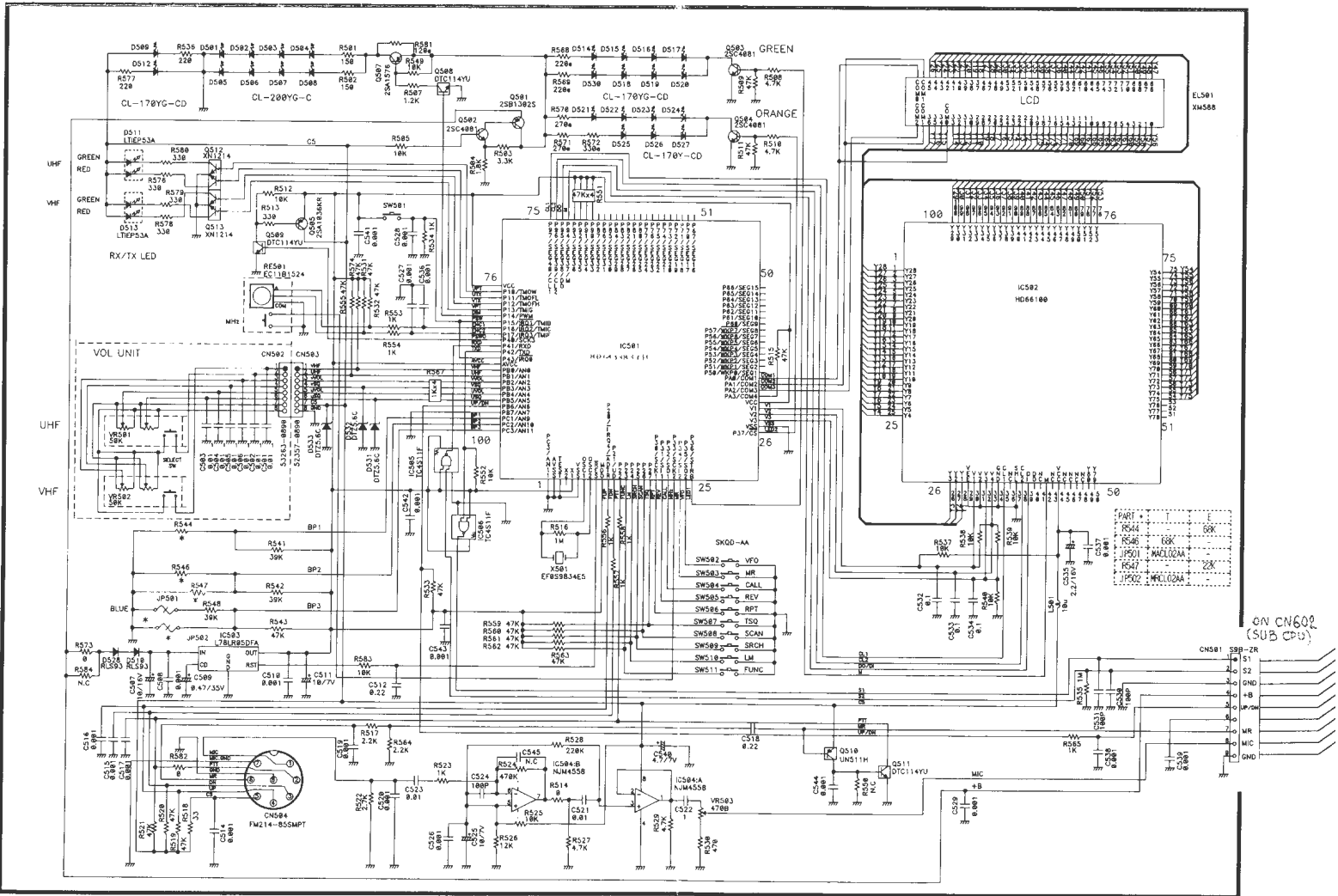


ON CN601
SUB CPU UNIT

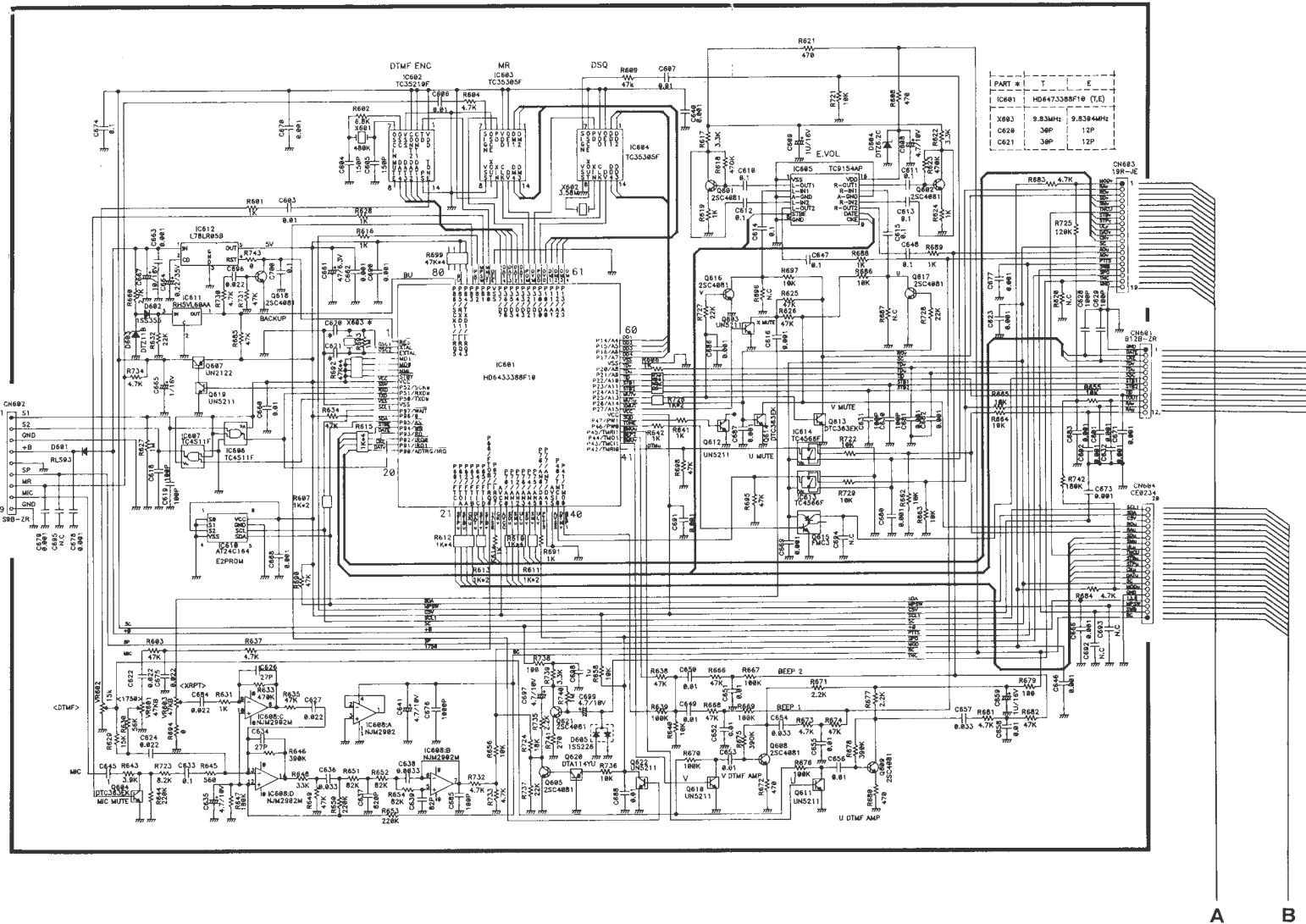
ENC UNIT



FRONT CPU UNIT



SUB CPU UNIT

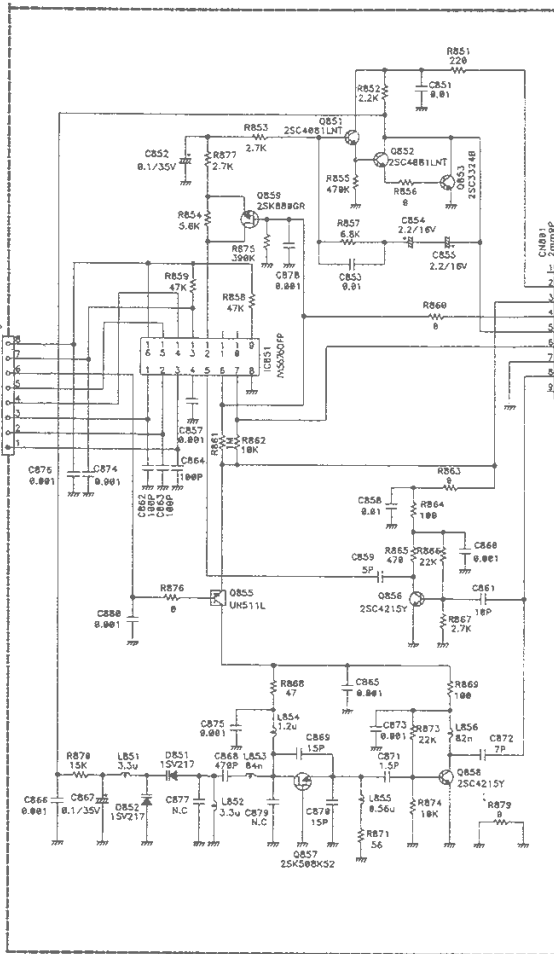


PART #	QTY	U
IC681	1	(E)
X803	9.83MHz	9.8304MHz
C628	36P	12P
C621	36P	12P

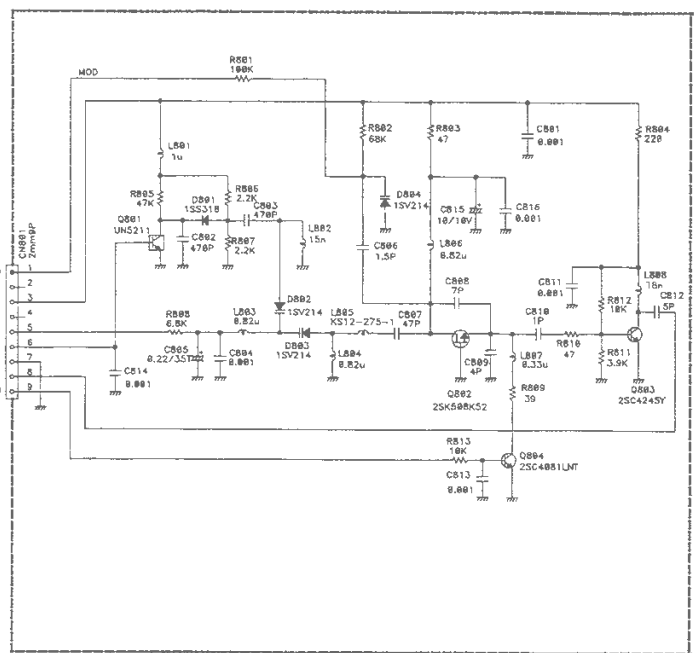
A B

UHF MAIN UNIT

UHF PLL UNIT



UHF VCO UNIT



VHF MAIN UNIT

VHF PLL UNIT

VHF VCO UNIT

