

Figure 7-6. HZ2KV P201 IF Schematic
Page 100

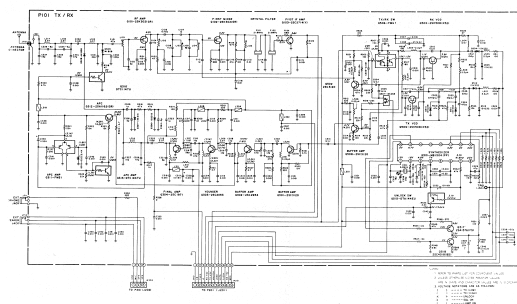


Figure 7-7. HZ2KV P201 Control Schematic

